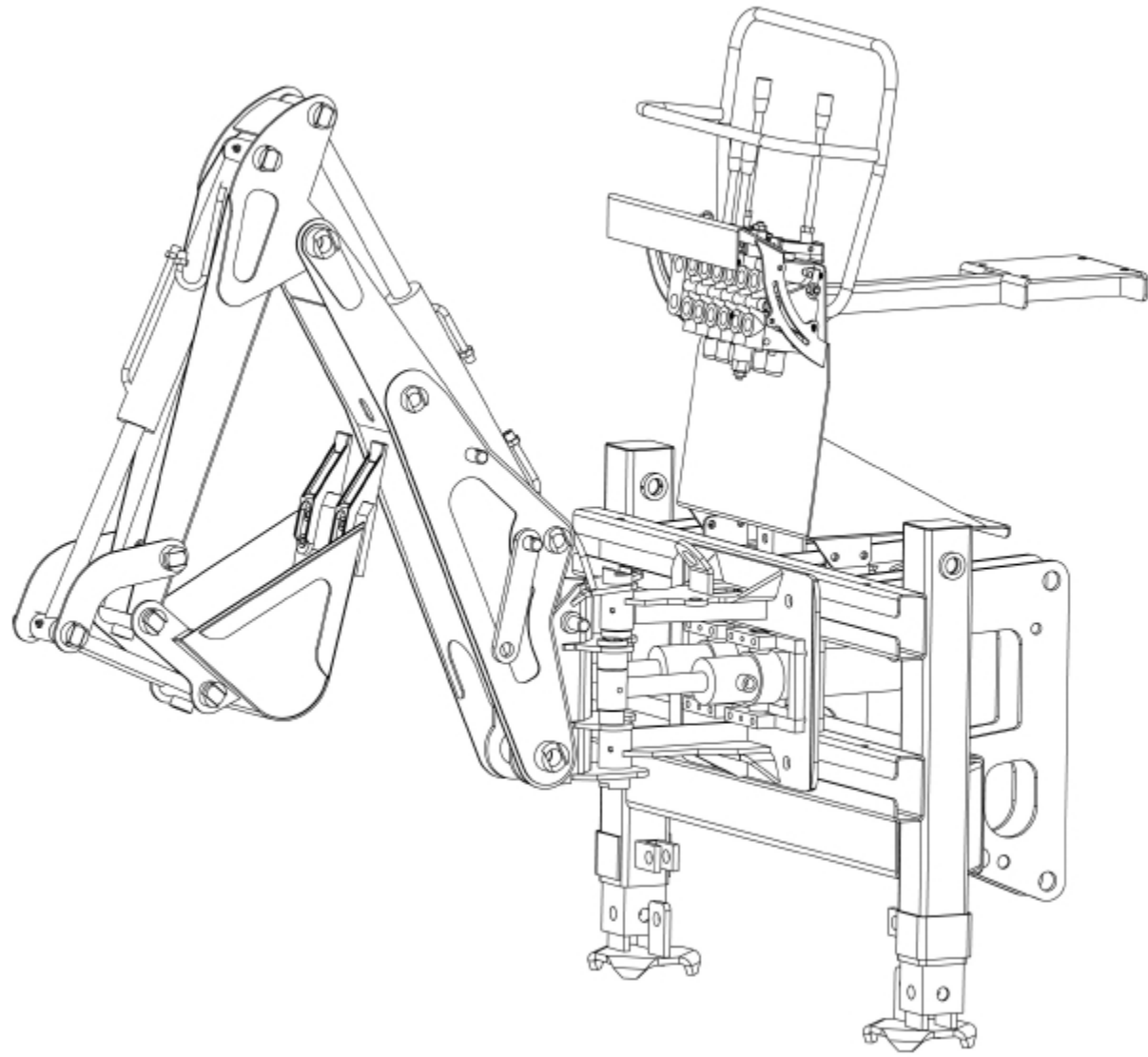
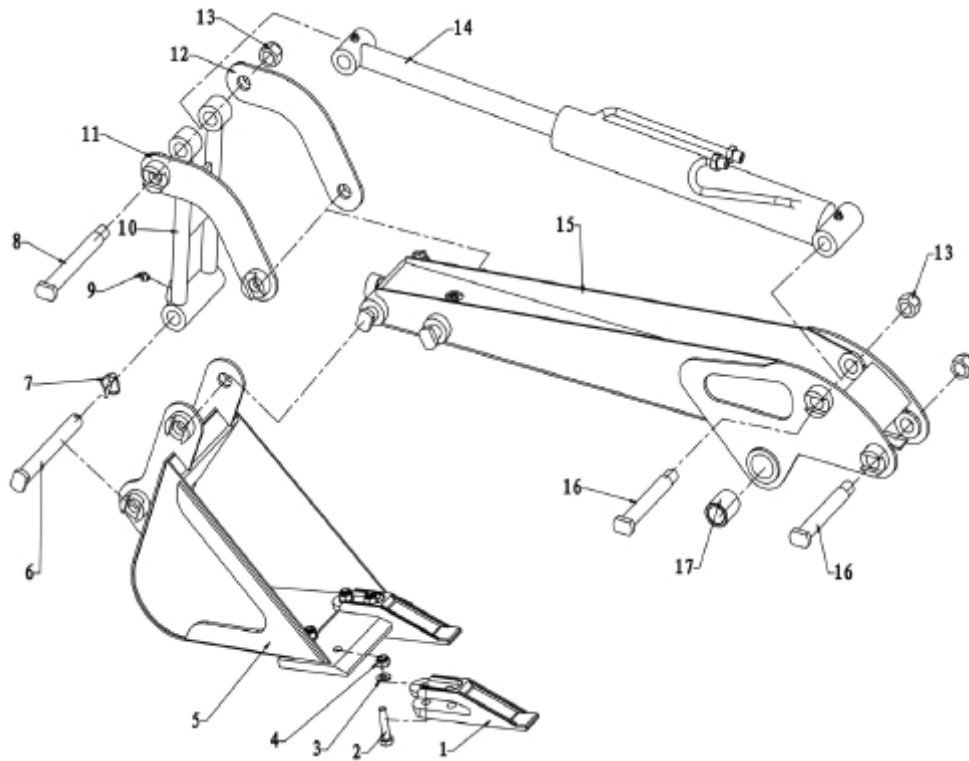


# BH-5 BACKHOE PARTS LIST

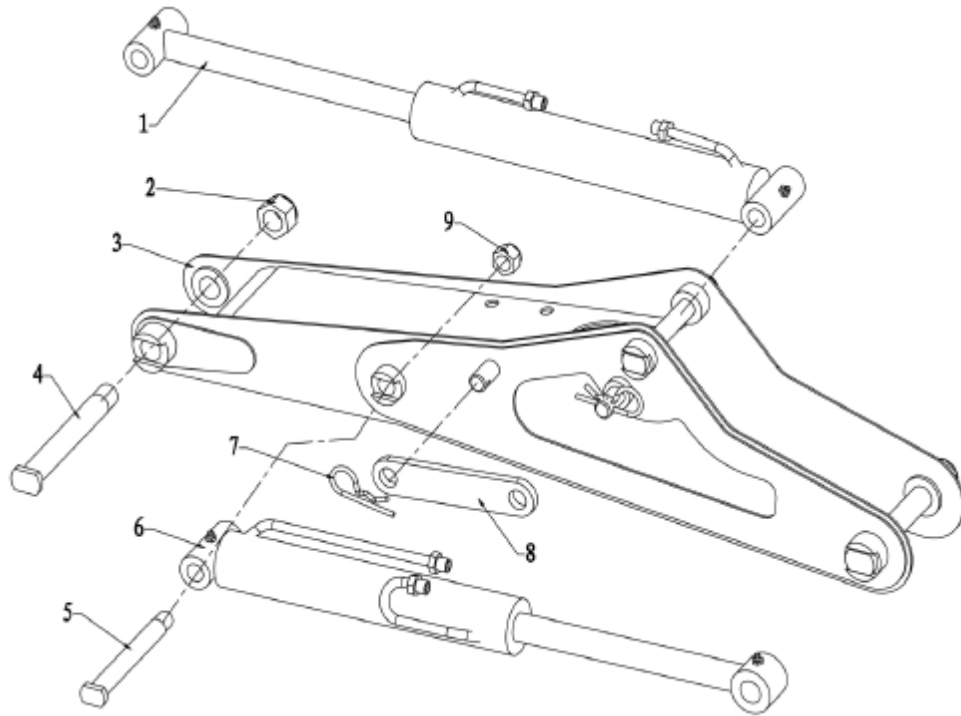


## BH-5 BACKHOE PART LIST

### NO.1 BUCKET-STICK ASSEMBLY



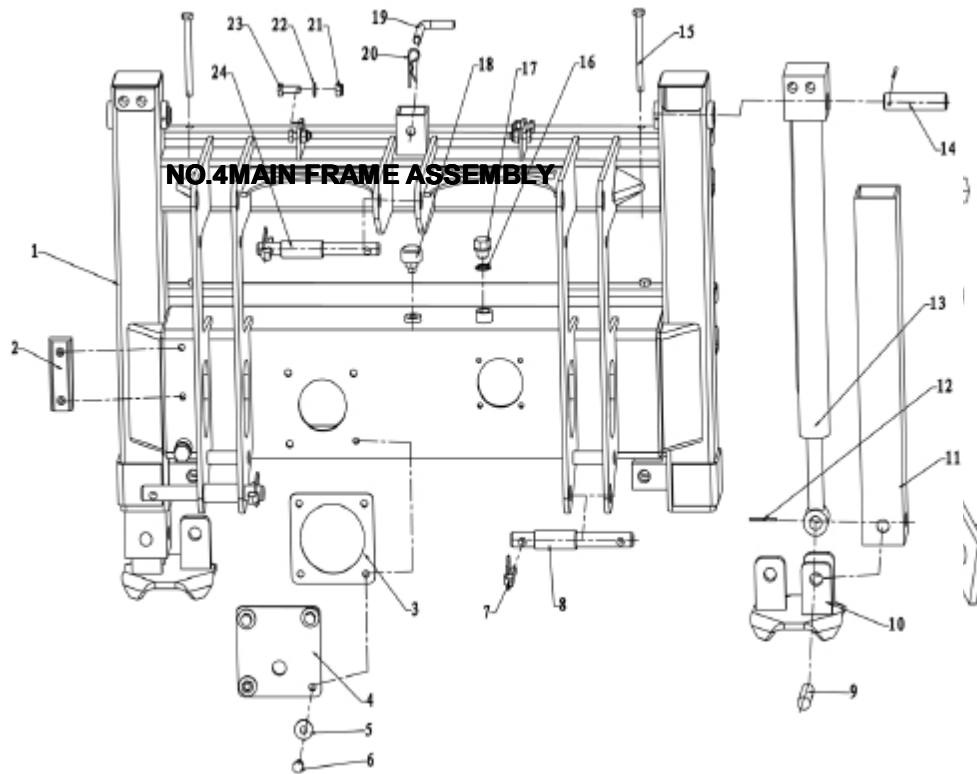
ITEM	PART NUMBER	DESCRIPTION	QTY	REMARKS
1	BK6N.01.105	TOOTH	2	挖斗齿
2	GB5782-M10x45	BOLT M10x45	4	螺栓 M10x45
3	GB97.1-10	PLAIN WASHER 10	4	平垫圈 10
4	GB889.1-M10	LOCK NUT M10	4	锁紧螺母 M10
5	BH5.10.011	BUCKET WELDMENT	1	挖斗焊合件
6	BH5.10.101	PIN	2	斗销
7	LPIN 5	LOCK PIN 5	2	锁销 5
8	BH5.10.102	PIN	2	链板销
9	GB1152-M8x1	ZERK M8x1	3	油杯 M8x1
10	BH5.10.012	BUCKET LINK	1	链板焊合件
11	BH5.10.013	LINK,LEFT	1	左链板焊合件
12	BH5.10.014	LINK,RIGHT	1	右链板焊合件
13	GB889.1-M18x1.5	LOCK NUT M18x1.5	4	锁紧螺母M18x1.5
14	BH5.10.002	BUCKET CYLINDER	1	斗油缸
15	BH5.10.015	STICK WELDMENT	1	斗杆焊合件
16	BH5.10.103	PIN,STICK	2	斗杆销
17	BH5.10.104	BUSHING	2	斗杆衬套



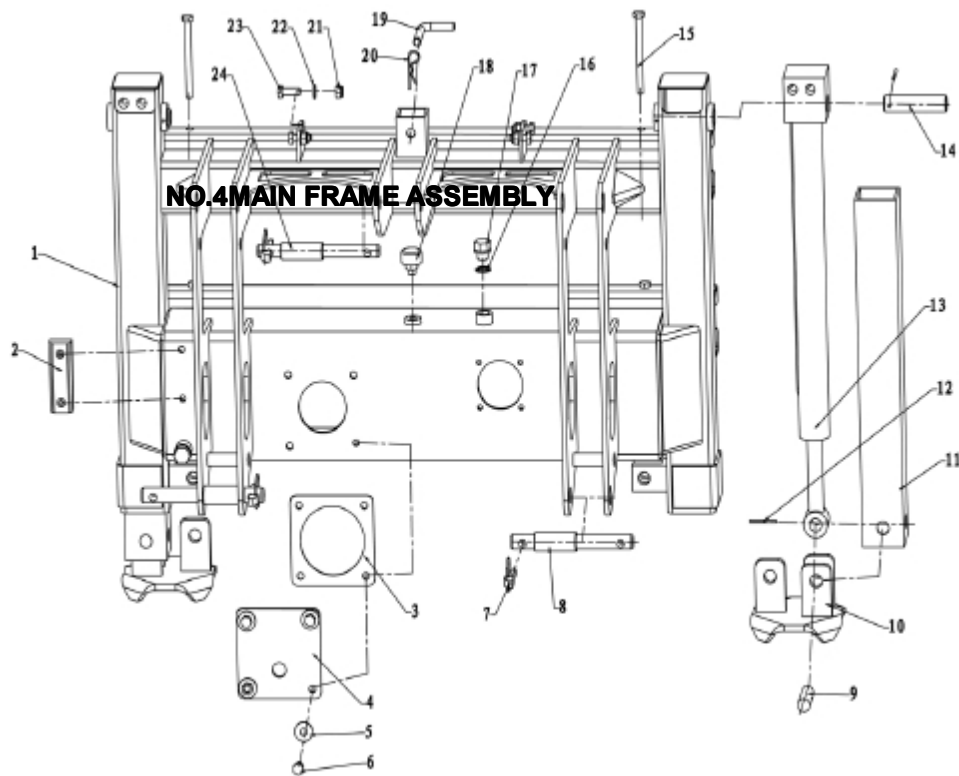
## NO.2 BOOM ASSEMBLY

ITEM	PART NUMBER	DESCRIPTION	QTY	REMARKS
1	BH5.20.002	DIPPER CYLINDER	1	斗杆油缸
2	GB889.1-M24x2	LOCK NUT M24x2	2	锁紧螺母 M24x2
3	BH5.20.011	BOOM WELDMENT	1	动臂焊合件
4	BH5.20.101	PIN,BOOM	2	动臂销
5	BH5.10.102	PIN,LINK	2	链板销
6	BH5.20.003	BOOM CYLINDER	1	动臂油缸
7	RPIN 5	RPIN 5	2	R销 5
8	BH5.20.102	LOCK PLATE	1	锁板
9	GB889.1-M18x1.5	LOCK NUT M18x1.5	2	锁紧螺母 M18x1.5

### NO.3 SWING ASSEMBLY

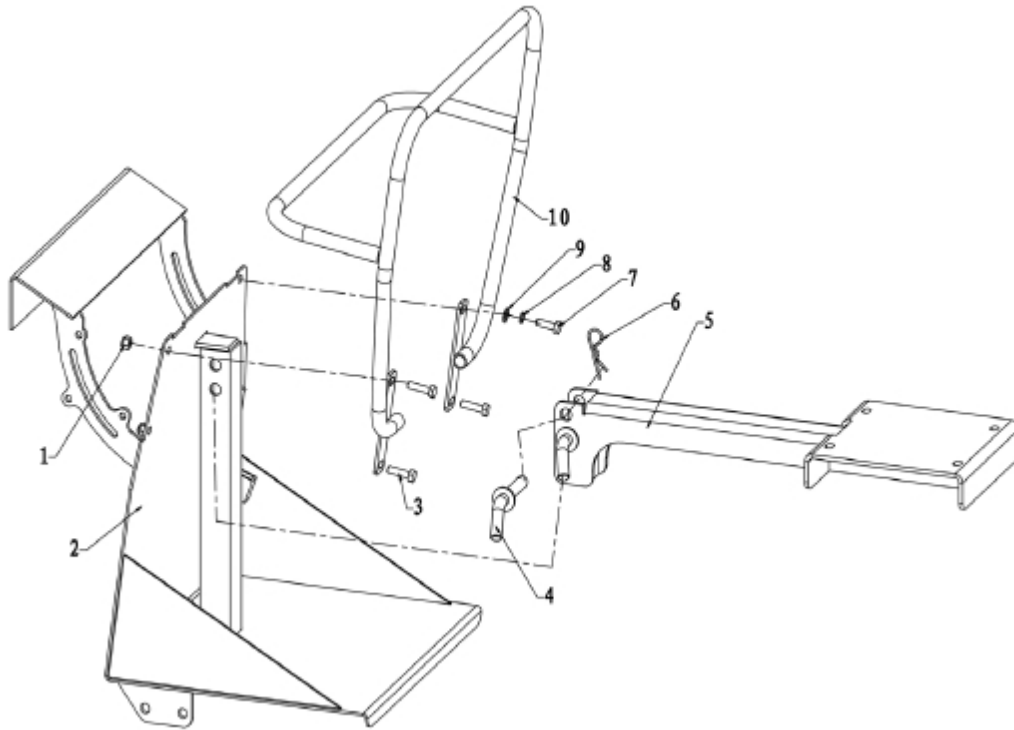


ITEM	PART NUMBER	DESCRIPTION	QTY	REMARKS
1	BH5.30.011	SWING WELDMENT	1	摆座焊合件
ITEM	PART NUMBER	DESCRIPTION	QTY	REMARKS
1	BH5.40.011	FRAME WELDMENT	1	底座焊合件
2	YWZ-76	LIQUIDOMETER	1	液位液温计
3	BH5.40.107	SEAL	1	密封垫
4	BH5.40.106	PLATE	1	吸油滤座
5	GB96-10	WASHER 10	4	大平垫10
6	GB5783-M10x20	BOLT M10x20	4	螺栓M10x20
7	LPIN 12	LPIN 12	3	锁销12
8	BH5.40.108	LOWER HITCH PIN	2	下悬挂销
9	BH5.40.105	PIN,LOWER	2	油缸下销
10	BH5.40.012	STABILIZER PAD	2	撑脚板焊合件
11	BH5.40.104	TUBE,CY	2	油缸罩
12	GB879-4x45	ROLL PIN 4x45	4	弹性销4x45
13	BH5.40.002	STABILIZER CYLINDER	2	撑脚油缸
14	BH5.40.103	PIN,UPPER	2	油缸上销
15	GB5782-M10x120	BOLT M10x120	4	螺栓M10x120
16	JB/ZQ4454-18	GASKET 18	2	密封垫18
17	JB/ZQ4451-18x1.5	PLUG M18x1.5	2	螺塞M18x1.5
18	C-M12	BREATHER FILTER	1	空滤C-M12
19	BH5.40.102	PIN,SEAT	1	座椅销
20	RPIN 2.5	RPIN 2.5	1	R销2.5
21	GB889.1-M10	LOCK NUT M10	8	锁紧螺母M10
22	GB97.1-10	PLAIN WASHER 10	4	平垫圈10
23	GB5783-M10x30	BOLT M10x30	4	螺栓M10x30
24	BH5.40.101	UPPER HITCH PIN	1	上悬挂销

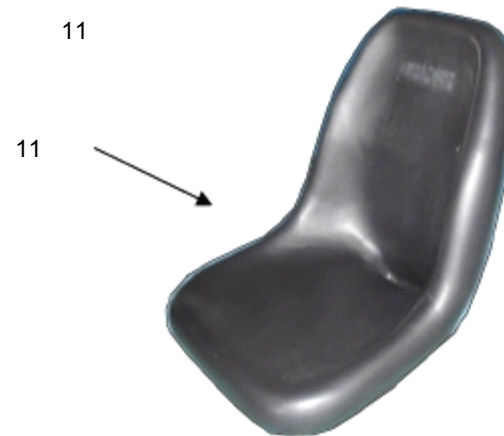


ITEM	PART NUMBER	DESCRIPTION	QTY	REMARKS
1	BH5.40.011	FRAME WELDMENT	1	底座焊合件
2	YWZ-76	LIQUIDOMETER	1	液位液温计
3	BH5.40.107	SEAL	1	密封垫
4	BH5.40.106	PLATE	1	吸油滤座
5	GB96-10	WASHER 10	4	大平垫10
6	GB5783-M10x20	BOLT M10x20	4	螺栓M10x20
7	LPIN 12	LPIN 12	3	锁销12
8	BH5.40.108	LOWER HITCH PIN	2	下悬挂销
9	BH5.40.105	PIN,LOWER	2	油缸下销
10	BH5.40.012	STABILIZER PAD	2	撑脚板焊合件
11	BH5.40.104	TUBE,CY	2	油缸罩
12	GB879-4x45	ROLL PIN 4x45	4	弹性销4x45
13	BH5.40.002	STABILIZER CYLINDER	2	撑脚油缸
14	BH5.40.103	PIN,UPPER	2	油缸上销
15	GB5782-M10x120	BOLT M10x120	4	螺栓M10x120
16	JB/ZQ4454-18	GASKET 18	2	密封垫18
17	JB/ZQ4451-18x1.5	PLUG M18x1.5	2	螺塞M18x1.5
18	C-M12	BREATHER FILTER	1	空滤C-M12
19	BH5.40.102	PIN,SEAT	1	座椅销
20	RPIN 2.5	RPIN 2.5	1	R销2.5
21	GB889.1-M10	LOCK NUT M10	8	锁紧螺母M10
22	GB97.1-10	PLAIN WASHER 10	4	平垫圈10
23	GB5783-M10x30	BOLT M10x30	4	螺栓M10x30
24	BH5.40.101	UPPER HITCH PIN	1	上悬挂销

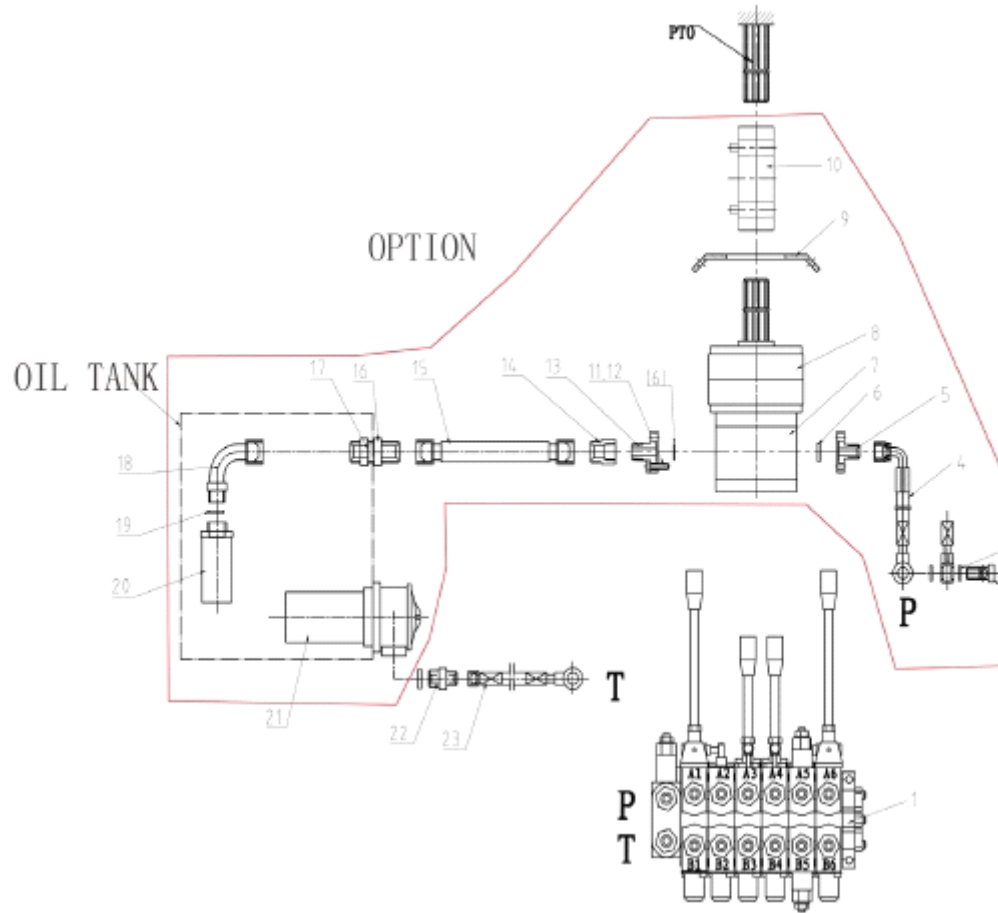
### NO.5 CONSOLE ASSEMBLY



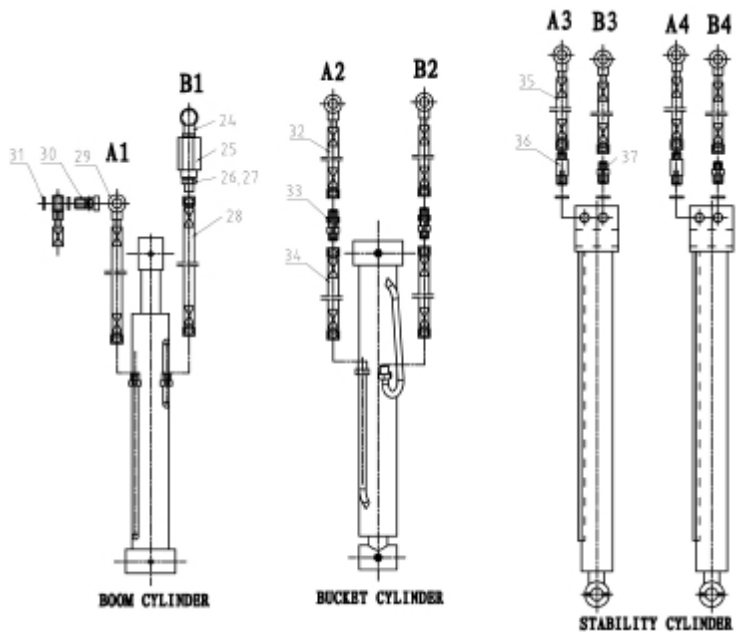
ITEM	PART NUMBER	DESCRIPTION	QTY	REMARKS
1	GB889.1-M8	LOCK NUT M8	3	锁紧螺母M8
2	BH5.50.011	CONSOLE WELDMENT	1	操纵台焊合件
3	GB5783-M8x35	BOLT M8x35	2	螺栓M8x35
4	BH5.50.101	PIN	2	座椅架销
5	BH5.50.013	SEAT BASE	1	座椅架焊合件
6	RPIN 2.5	RPIN 2.5	2	R销 2.5
7	GB5783- M8x25	BOLT M8x25	2	螺栓M8x25
8	GB93-8	LOCK WASHER 8	1	弹垫圈 8
9	GB97.1-8	PLAIN WASHER 8	1	平垫圈 8
10	BH5.50.012	HANDRAIL	1	扶手焊合件
11	BH5.50.020	SEAT	1	座椅



## NO.6 HYDRULIC ASSEMBLY



ITEM	PART NUMBER	DESCRIPTION	QTY	REMARKS
1	DF6250	VALVE	1	多路阀DF6250
2	BH5.60.101	BOLT 18	2	空心螺栓18
3	JB/ZQ4454-18	SEAL18	4	密封垫18
4	BH5.60.011	HOSE,INLET	1	阀进油管
5	BH5.60.102	FITTING	1	泵出油接头
6	GB3452.1-18x23x2.5	O-RING 18x23x2.5	2	O形圈 18x23x2.5
7	CBN-E316	GEAR PUMP ASSEMBLY	1	齿轮泵CBN-E316
8	PG-3	GEAR BOX	1	齿轮箱
9	BK6N.06.114	PLATE	1	齿轮泵连接座
10	BK6N.07.001	LINK	1	花键连接套总成
11	GB5783-M8x25	BOLT M8x25	8	螺栓M8x25
12	GB93-8	LOCK WASHER 8	8	弹垫圈8
13	BH5.60.103	ADAPTER,INLET	1	泵进油接头
14	BH5.60.104	ADPTER	1	泵转换接头
15	BH5.60.012	HOSE,PUMP	1	泵进油管
16	BH5.60.105	BULKHEAD	1	接头27
17	JB/ZQ4454-27	SEAL 27	1	密封垫27
18	BH5.60.106	ELBOW FITTING	1	弯接头
19	JB/ZQ4454-22	SEAL 22	2	密封垫22
20	WU-25x100J	FILTER,OUTLET	1	过滤器WU-25x100J
21	RFA-25	FILTER,INLET	1	滤油器RFA-25
22	BH5.60.107	CONNECTOR	1	接头22-18
23	BH5.60.013	HOSE	1	阀回油管
24	BH5.60.108	BANJO FITTING	1	球接头
25	MK6 M14X1.5	THROTTLE VALVE	1	单向节流阀MK6
26	BH5.60.109	CONNECTOR	1	接头14-14
27	JB/ZQ4454-14	SEAL 14	2	密封垫14
28	BH5.60.014	HOSE1,BCY	1	动臂油缸油管1



ITEM	PART NUMBER	DESCRIPTION	QTY	REMARKS
29	BH5.60.015	HOSE2,BCY	1	动臂油缸油管2
30	BH5.60.110	BOLT 16	18	空心螺栓16
31	JB/ZQ4454-16	SEAL 16	40	密封垫16
32	BH5.60.016	HOSE1,BUCY	2	挖斗油缸油管1
33	BH5.60.111	BULKHEAD	4	过渡接头
34	BH5.60.017	HOSE2,BUCY	2	挖斗油缸油管2
35	BH5.60.018	HOSE,STCY	4	撑脚油缸油管
36	BH5.60.112	CONNECTOR	2	长接头
37	BH5.60.113	CONNECTOR	2	短接头
38	BH5.60.019	HOSE1,SWCY	2	转向油缸油管1
39	BH5.60.020	HOSE2,SWCY	2	转向油缸油管2
40	BH5.60.021	HOSE1,DPCY	2	斗杆油缸油管1
41	BH5.60.022	HOSE2,DPCY	2	斗杆油缸油管2

**NO.6 HYDRULIC ASSEMBLY**

