

Agri-Fab®

**OWNERS MANUAL
MANUAL DEL USUARIO
NOTICE D'UTILISATION**

**Model No.
Modelo No.
Modèle No.**

45-0329

CAUTION:
Read Rules for
Safe Operation
and Instructions
Carefully

PRECAUCION:
Lea cuidadosamente los
Procedimientos e
Instrucciones para la
Operación Segura de la
Máquina.

ATTENTION:
Lire et suivre attentivement
les instructions et
consignes de sécurité de
cette notice.



175 LB. ATV BROADCAST SPREADER

**ESPARCIDOR DE LANZADO - VEHICULO
PARA TODO TERRENO - DE 79 KG**

**ÉPANDÉUR-AÉRATEUR À GRANDE PORTÉE DE
79 KG, MODÈLE TOUS TERRAINS**

- Safety
- Assembly
- Operation
- Maintenance
- Parts

- Seguridad
- Montaje
- Operación
- Mantenimiento
- Piezas de Repuesto

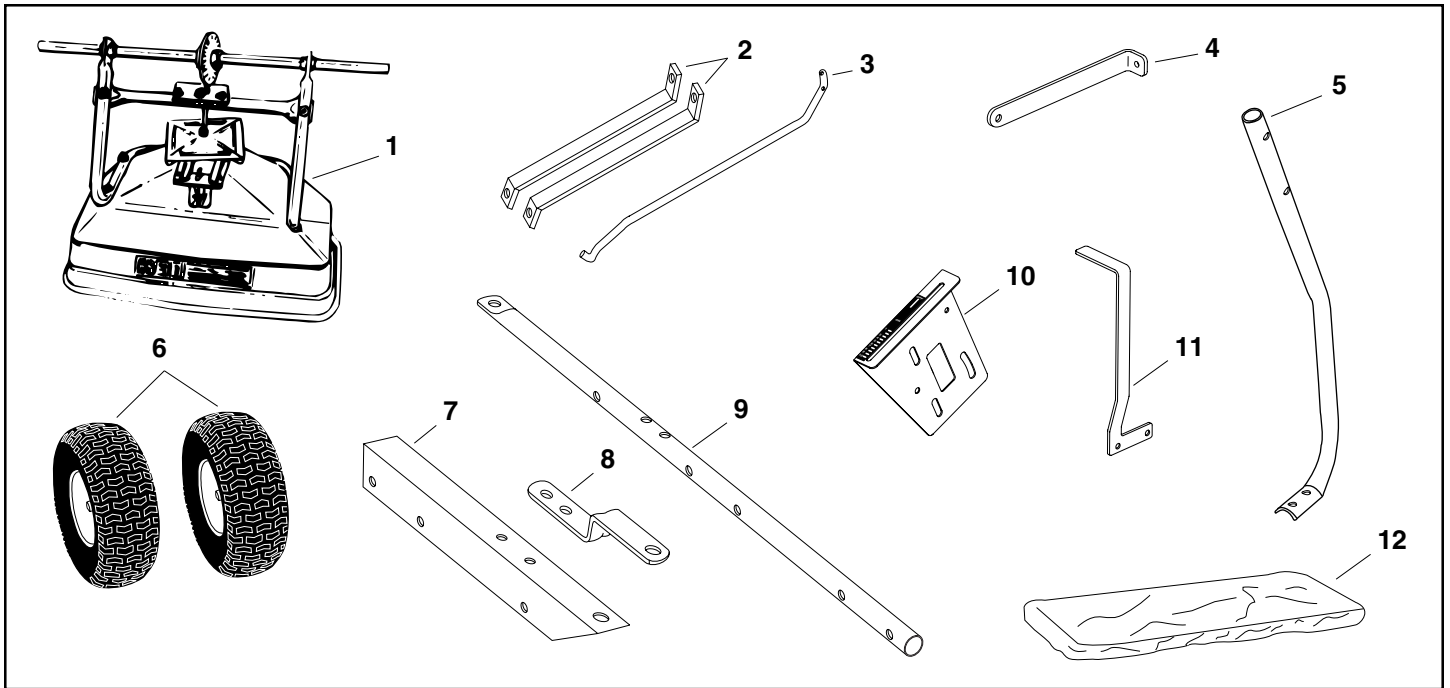
- Sécurité
- Assemblage
- Fonctionnement
- Maintenance
- Pièces de Rechange

SpeedPart *the fastest way to purchase parts* www.speedpart.com

CARTON CONTENTS (Loose Parts in Carton)

CONTENIDO DE LA CAJA (Partes Sueltas en la Caja)

CONTENU DU CARTON (Pièces en Vrac Dans le Carton)



ENGLISH

1. Hopper Assembly
 2. Braces (2)
 3. Flow Control Rod
 4. Tube Support Strap
 5. Flow Control Mounting Tube
 6. Wheels (2)
 7. Hitch Extension Bracket
 8. Hitch Bracket
 9. Hitch Tube
 10. Flow Control Mount Bracket
 11. Flow Control Arm
 12. Hopper Cover
- Hardware Package (see page 3)

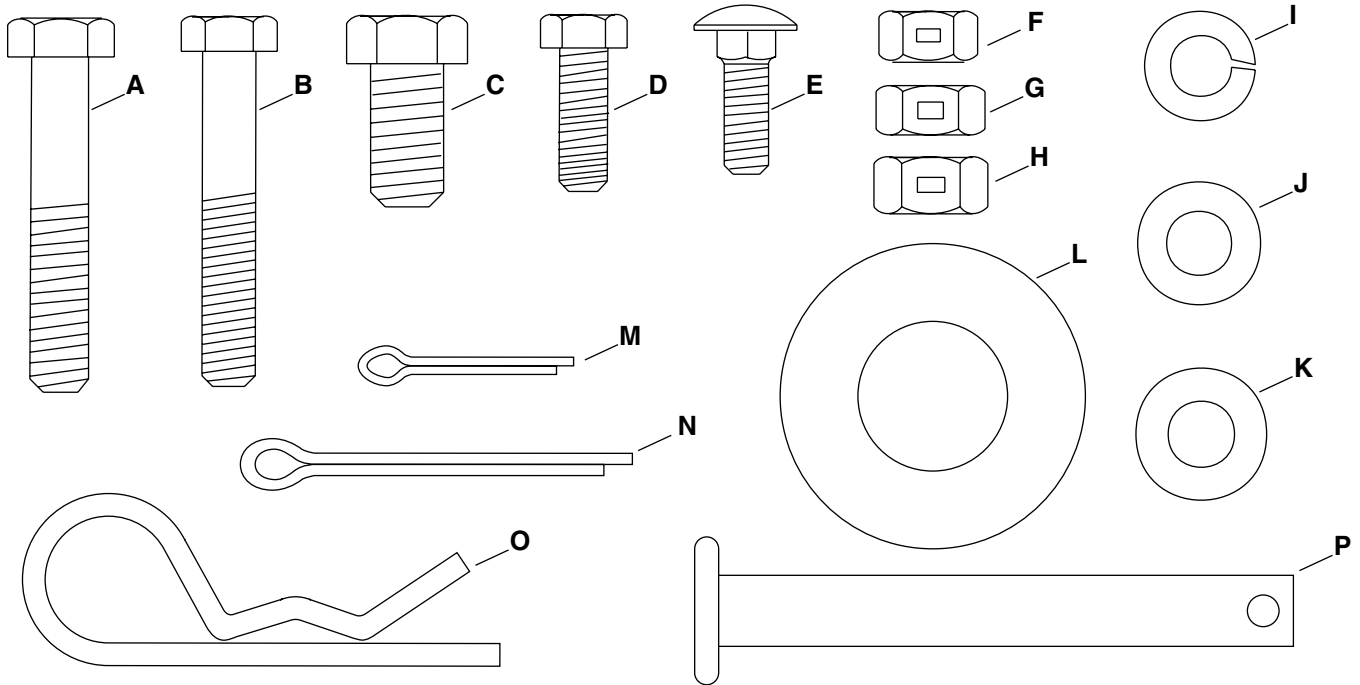
ESPAÑOL

1. Conjunto de la Tolva
 2. Puntales (2)
 3. Barra de Control de Flujo
 4. Tira de Soporte del Tubo
 5. Tubo de Montaje del Control de Flujo
 6. Ruedas (2)
 7. Soporte de Extensión del Enganche
 8. Soporte de Enganche
 9. Tubo de Enganche
 10. Soporte de Montaje del Control de Flujo
 11. Brazo del Control de Flujo
 12. Tapa de la Tolva
- Paquete de Elementos de Ferrería
(vea la página 3)

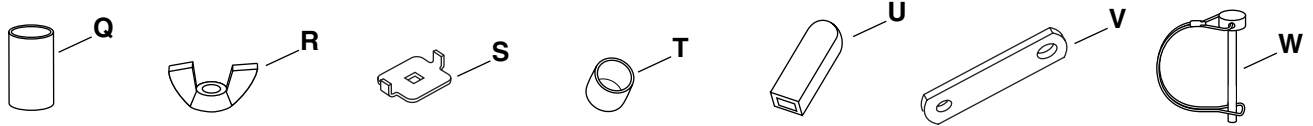
FRANÇAIS

1. Trémie
 2. Entretoises d'attelage
 3. Bielle de contrôle de débit
 4. Latte de support du tube
 5. Tube de montage du contrôle de débit
 6. Roues (2)
 7. Pièce de rallonge de support d'attelage
 8. Support d'attelage
 9. Tube d'attelage
 10. Support de montage du contrôle de débit
 11. Bras de contrôle de débit
 12. Couvercle de la trémie
- Sac de visserie (voir page 3)

SHOWN FULL SIZE



NOT SHOWN FULL SIZE



| KEY | QTY. | DESCRIPTION | KEY | QTY. | DESCRIPTION |
|-----|------|----------------------------|-----|------|---------------------------|
| A | 4 | Hex Bolt, 5/16" x 1-3/4" | L | 4 | Flat Washers 1-5/8" |
| B | 5 | Hex Bolt, 1/4" x 1-3/4" | M | 1 | Cotter Pin, 3/32" x 3/4" |
| C | 2 | Hex Bolt, 3/8" x 3/4" | N | 2 | Cotter Pin, 1/8" x 1-1/2" |
| D | 2 | Hex Bolt, 1/4" x 3/4" | O | 1 | Hair Cotter Pin, 1/8" |
| E | 1 | Carriage Bolt, 1/4" x 3/4" | P | 1 | Hitch Pin |
| F | 7 | Hex Lock Nut, 1/4" | Q | 2 | Spacers |
| G | 4 | Hex Lock Nut, 5/16" | R | 1 | Nylon Wing Nut |
| H | 2 | Hex Lock Nut, 3/8" | S | 1 | Adjustable Stop |
| I | 4 | Lock Washer, 5/16" | T | 1 | Vinyl Cap |
| J | 4 | Nylon Washer | U | 1 | Grip |
| K | 7 | Flat Washer, 5/16" | V | 1 | Flow Control Link |
| | | | W | 1 | Drive Pin |

RULES FOR SAFE OPERATION

Any power equipment can cause injury if operated improperly or if the user does not understand how to operate the equipment. Exercise caution at all times when operating equipment.

- Read the towing vehicle owners manual and towing vehicle safety rules. Know how to operate your tractor before using the broadcast spreader attachment.
- Read the chemical label instructions and cautions for handling and applying the chemicals purchased for spreading.
- Wear eye and hand protection when handling and when applying lawn or garden chemicals.
- Never operate tractor and spreader attachment without wearing substantial footwear, and do not allow anyone to ride or sit on spreader attachment frame.
- Never allow children to operate the tractor or spreader attachment, and do not allow adults to operate without proper instructions.
- Always begin with the transmission in first (low) gear and with the engine at low speed, and gradually increase speed as conditions permit.
- When towing broadcast spreader do not drive too close to a creek or ditch and be alert for holes and other hazards which could cause you to lose control of the broadcast spreader and tractor.
- Before operating vehicle on any grade (hill) refer to the safety rules in the vehicle owner's manual concerning safe operation on slopes. **Stay off steep slopes!**
- Follow maintenance and lubrication instructions as outlined in this manual.



LOOK FOR THIS SYMBOL TO POINT OUT IMPORTANT SAFETY PRECAUTIONS. IT MEANS -- ATTENTION! BECOME ALERT! YOUR SAFETY IS INVOLVED.

ASSEMBLY INSTRUCTIONS

TOOLS REQUIRED FOR ASSEMBLY

- (1) Pliers
- (2) 7/16" Wrenches
- (2) 1/2" Wrenches
- (2) 9/16" Wrenches

REMOVAL OF PARTS FROM CARTON

Remove all parts and hardware packages from the carton. Lay out all parts and hardware and identify using the illustrations on pages 2 and 3.

1. Turn the spreader upside down as shown in figure 1.

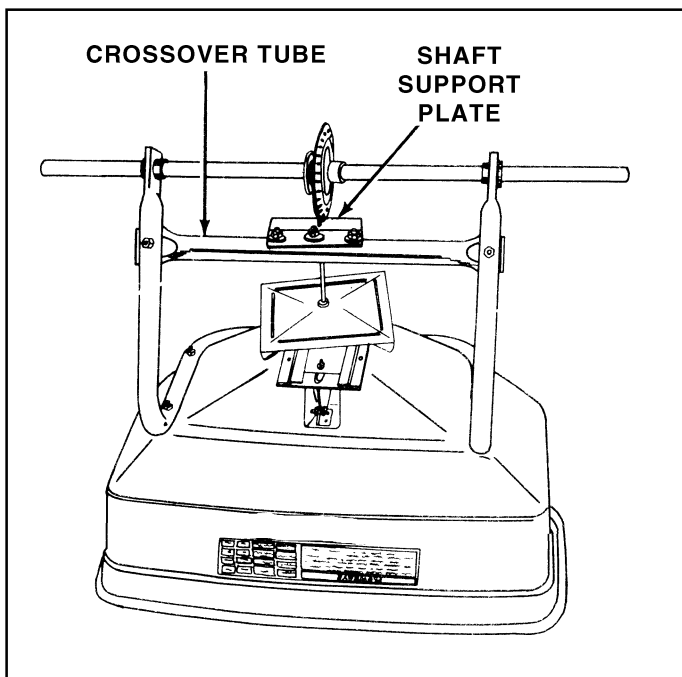


FIGURE 1

2. Assemble the two hitch braces to the inside of the hopper frame using a 1/4" x 1-3/4" hex bolt (B) and 1/4" hex lock nut (F) on each side. **DO NOT TIGHTEN YET.** See figure 2.
3. Remove the lock nut from the middle bolt in the crossover tube and shaft support plate. Leave the bolt in place. See figure 2.
4. Assemble the hitch tube onto the middle bolt and secure it with the same lock nut you removed. **DO NOT TIGHTEN YET.** See figure 2.

IMPORTANT: The hitch tube must attach to the side of the crossover tube opposite the shaft support plate.

5. Assemble the two hitch braces to the hitch tube using a 1/4" x 1-3/4" (B) hex bolt and a 1/4" hex lock nut (F). **DO NOT TIGHTEN YET.** See figure 2.

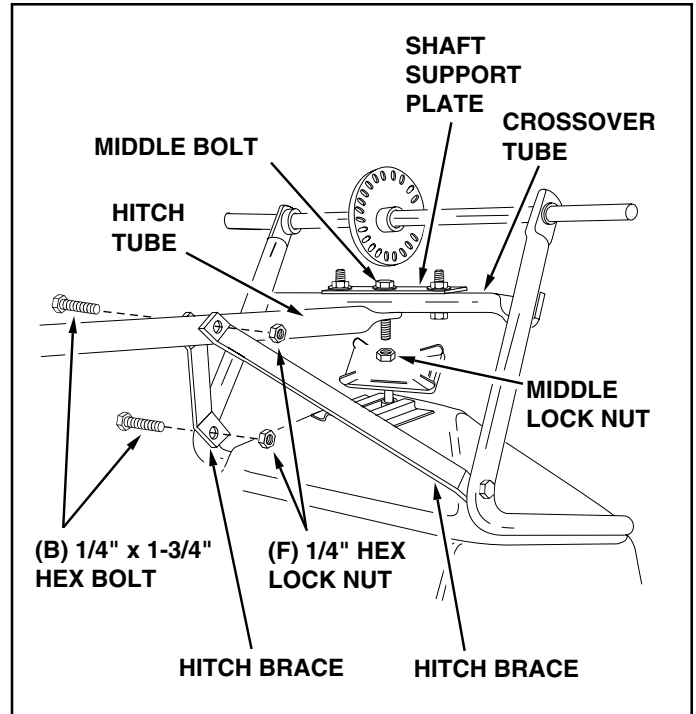


FIGURE 2

6. **Tighten** the nuts and bolts fastening the hitch braces to the hopper frame and the hitch tube, then tighten the middle lock nut fastening the hitch tube to the crossover tube. **DO NOT COLLAPSE TUBES WHEN TIGHTENING.**
7. Assemble a spacer (Q), a 1-5/8" flat washer (L), a wheel (air valve facing out) and another 1-5/8" flat washer (L) onto the end of the axle that has only the **small hole**. See figure 3.
8. Install a 1/8" x 1-1/2" cotter pin (N) into the hole in the axle. See figure 3.

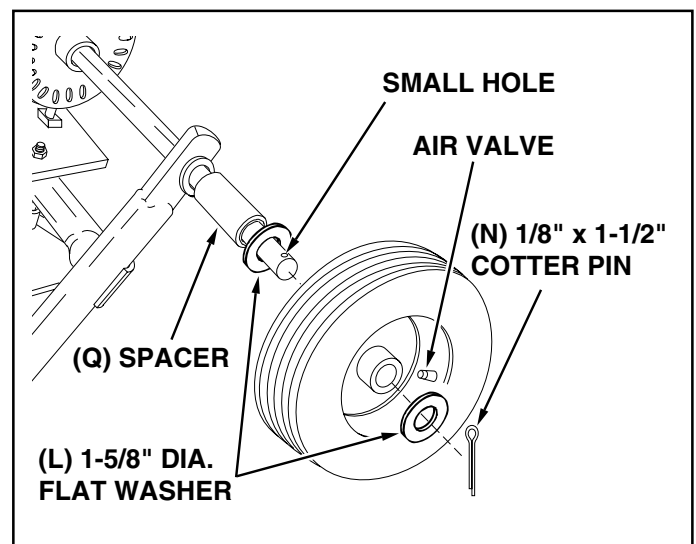


FIGURE 3

9. Assemble a spacer (Q), a 1-5/8" flat washer (L), a wheel (air valve facing out) and another 1-5/8" flat washer (L) onto the end of the axle that has both the **large and small holes**. See figure 4.
10. Install a 1/8" x 1-1/2" cotter pin (N) into the small hole in the end of the axle. See figure 4.
11. Open the bail on the drive pin (W) and install it through the wheel and the large hole in the axle. Close the bail to lock the pin in place. See figure 4.

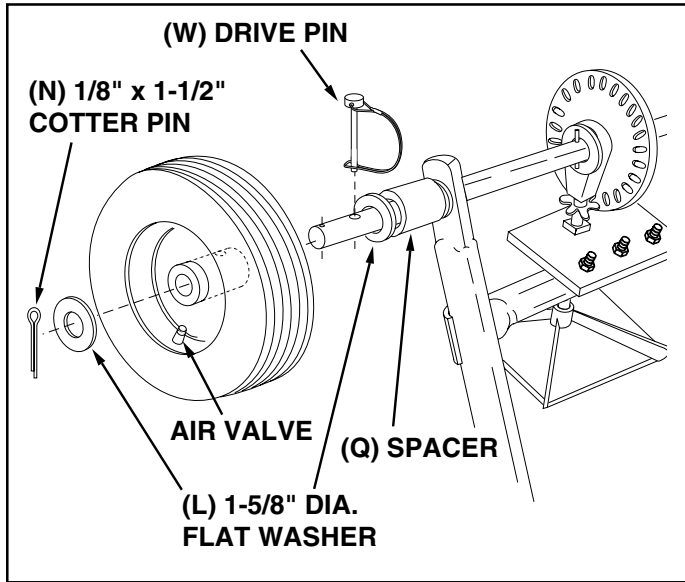


FIGURE 4

12. Turn the spreader upright on its wheels.
13. Assemble the flow control mounting tube to the hitch tube using two 5/16" x 1-3/4" hex bolts (A), 5/16" lock washers (I) and 5/16" hex lock nuts (G). **DO NOT TIGHTEN YET**. See figure 5.
14. Assemble the vinyl cap (T) onto the flow control mounting tube. See figure 5.

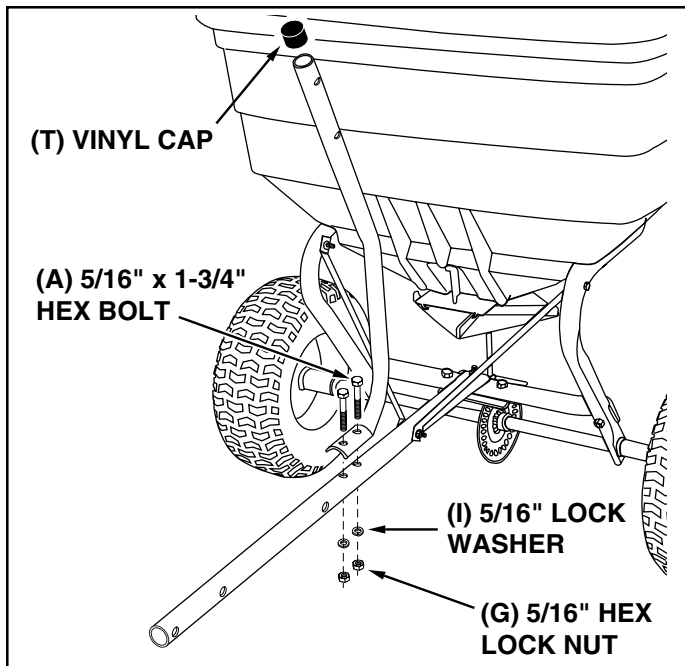


FIGURE 5

15. Assemble the flow control mounting bracket and the tube support strap to the flow control mounting tube using two 5/16" x 1-3/4" hex bolts (A), four 5/16" washers (K), two 5/16" lock washers (I) and two 5/16" hex lock nuts (G). **DO NOT TIGHTEN YET**. See figure 6.
16. Remove the preassembled bolt and nut from the front of the hopper. Attach the tube support strap to the hopper and hopper strap using the bolt and nut you removed. **TIGHTEN**. See figure 6.

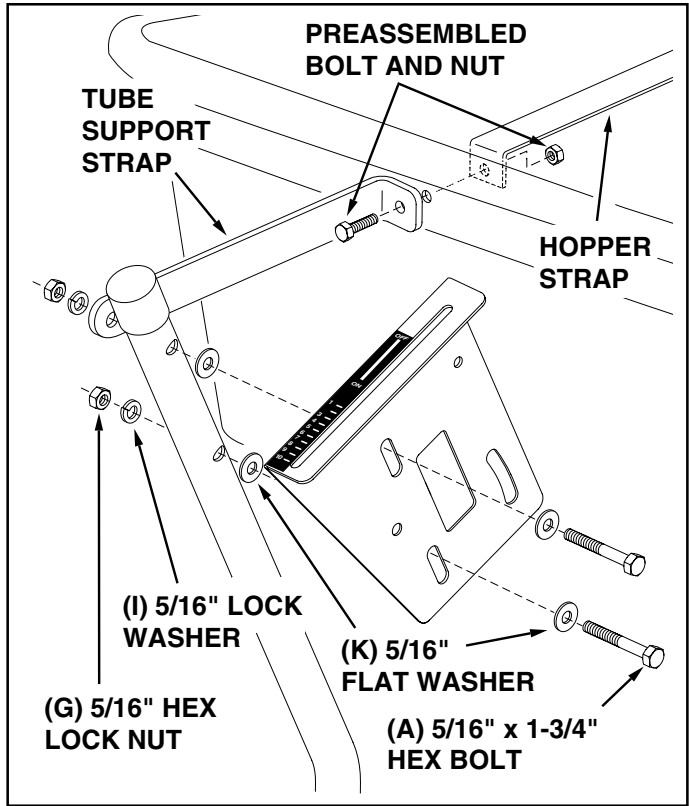


FIGURE 6

17. **TIGHTEN** the two bolts which fasten the flow control mounting tube to the hitch tube. **DO NOT TIGHTEN** the two bolts which fasten the flow control mounting bracket to the flow control mounting tube.

ENGLISH

- Assemble the vinyl grip (U) onto the flow control arm. See figure 7.
- Insert the flow control arm down through the slot in the flow control bracket. Assemble the small hole of the flow control link (V) to the flow control arm using a 1/4" x 3/4" hex bolt (D), a nylon washer (J) and a 1/4" hex lock nut (F) as shown in figure 7. **Tighten carefully.** The flow control link should be snug but should pivot with no more than slight resistance.

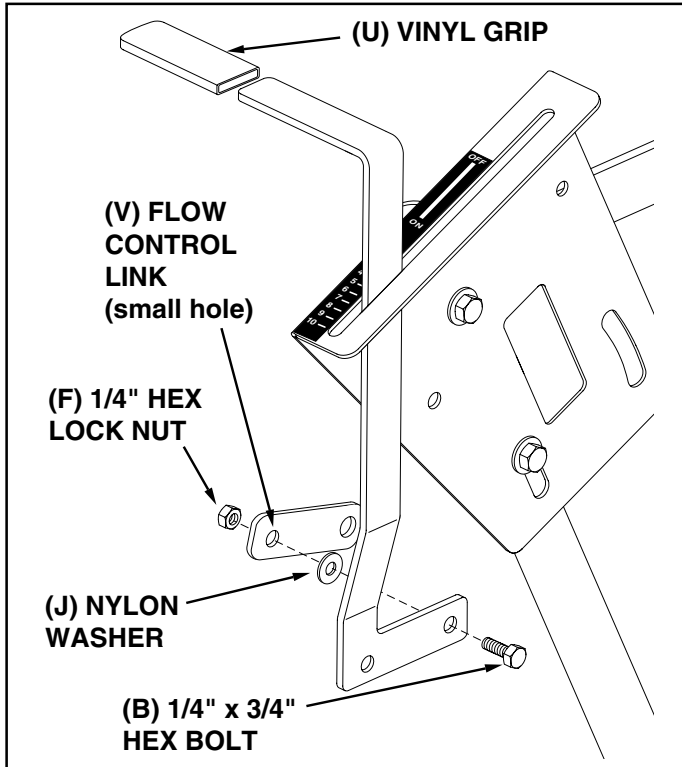


FIGURE 7

- Assemble the flow control arm to the flow control mounting bracket using a 1/4" x 3/4" hex bolt (D), two nylon washers (J) and a 1/4" hex lock nut (F). **Tighten carefully.** The flow control arm should be snug but should pivot with no more than slight resistance. See figure 8.

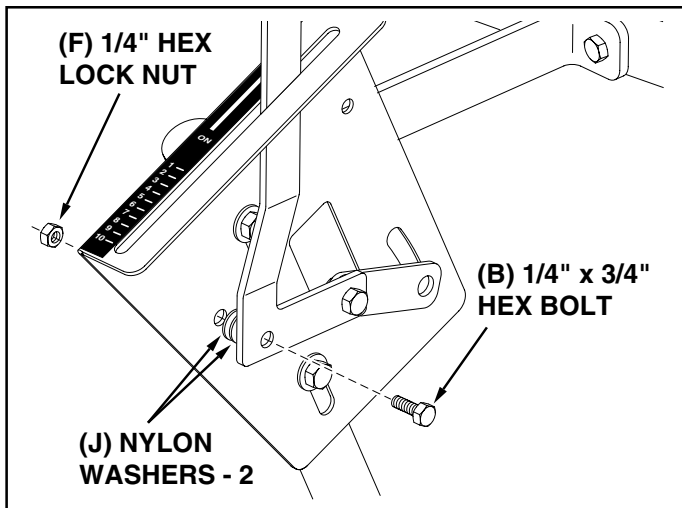


FIGURE 8

- Hook the double bent end of the flow control rod through the hole in the slide gate bracket located near the bottom of the hopper. See figure 9.

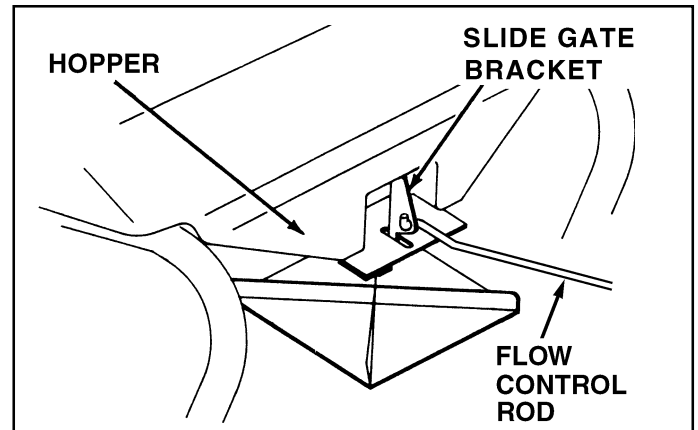


FIGURE 9

- Place a 5/16" flat washer (K) onto the other end of the flow control rod. Insert the end of the rod through the curved slot in the flow control mounting bracket and through the hole in the flow control link. Secure with a 5/16" flat washer (K) and a 3/32" x 3/4" cotter pin (M). See figure 10.

NOTE: You can leave off the second washer if there is not enough room on the end of the rod.

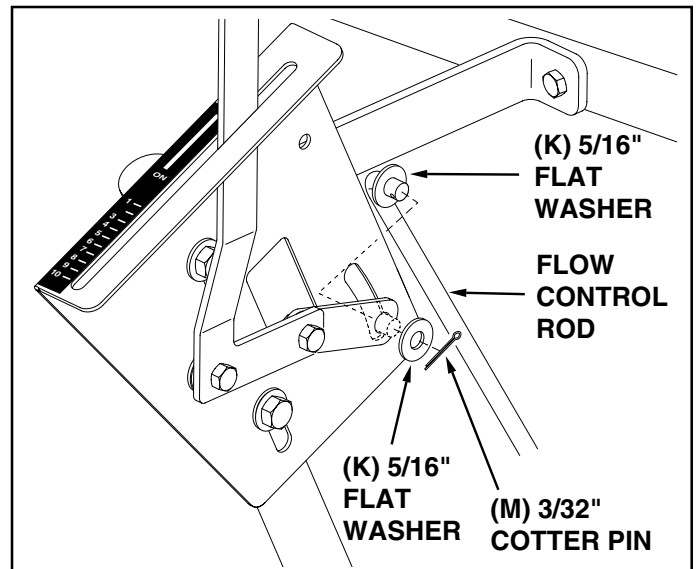


FIGURE 10

- Place the adjustable stop (S) into the "ON" end of the slot in the top of the flow control mounting bracket. Secure with the 1/4" x 3/4" carriage bolt (E), a nylon washer (J), a 5/16" flat washer (K) and the nylon wing nut (R). See figure 11.

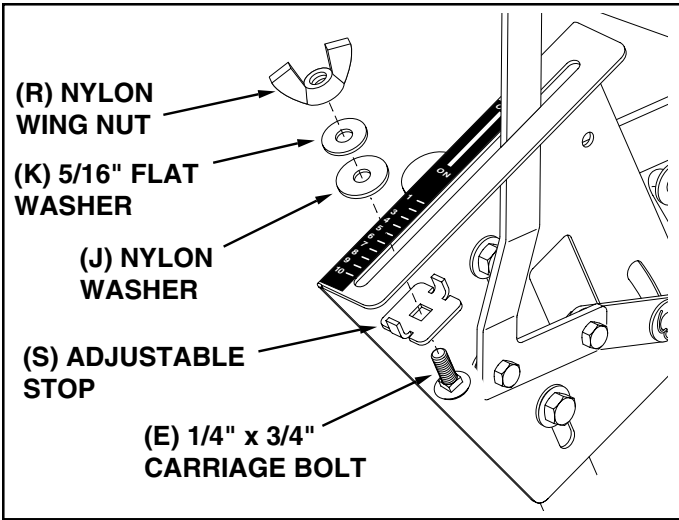


FIGURE 11

24. Position the flow control mounting bracket (figure 12).
 - a. Push on flow control arm until it locks in "OFF" position.
 - b. Slide flow control mounting bracket along tube until closure plate in bottom of hopper just closes.
 - c. Snug the 5/16" lock nuts just enough to hold flow control mounting bracket in place.
 - d. Set adjustable stop at "5". Pull flow control arm against stop. Verify that closure plate has opened about half way.
 - e. If closure plate does not open half way, adjust position of flow control mounting bracket until closure plate will open about half way at "5" and will still close when arm is locked in "OFF" position. **Tighten** the 5/16" lock nuts.

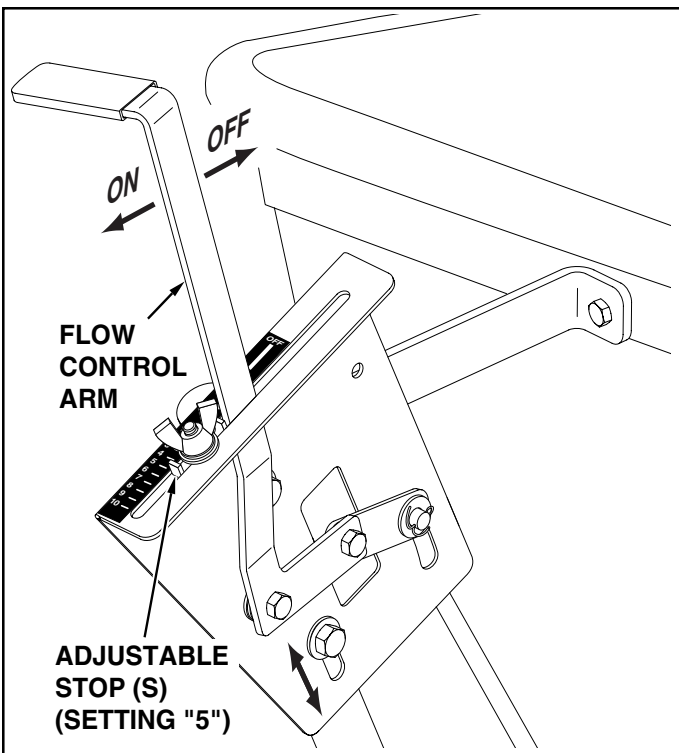


FIGURE 12

25. Assemble the hitch bracket to the hitch extension bracket using two 3/8" x 3/4" hex bolts (C) and 3/8" hex lock nuts (H). Insert the bolts from the bottom. See figure 13.
26. Assemble the hitch pin (P) through the hitch bracket and the hitch extension bracket and secure with the hair cotter pin (O). See figure 13.

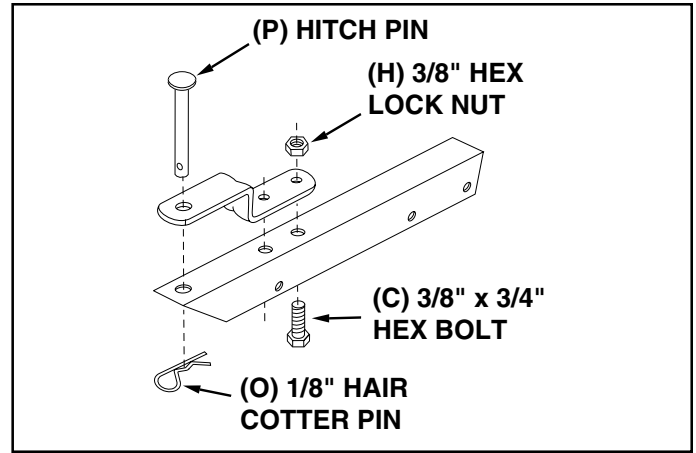


FIGURE 13

27. For most vehicles, assemble the hitch extension bracket to the holes in the hitch tube shown at the **top** of figure 14. Use two 1/4" x 1-3/4" hex bolts (B) and 1/4" hex lock nuts (F) tightened only finger tight. Attach the spreader hitch to your vehicle hitch. Check for interference with the spreader directly behind and out to both sides of the vehicle. Lift the spreader at each position to make sure there is no interference with the spreader's flow control. If there is interference with the rear of the vehicle, assemble the hitch extension bracket as shown at the **bottom** of figure 14. **Tighten** the bolts and nuts when finished.

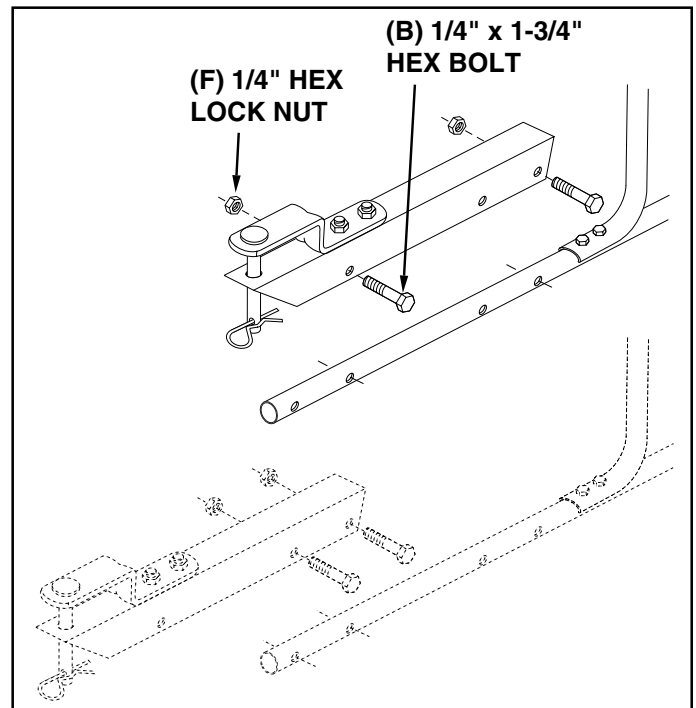


FIGURE 14

OPERATION

HOW TO USE YOUR SPREADER

SETTING THE FLOW CONTROL

(Refer to figure 12 on page 8.)

1. Loosen the nylon wing nut, set the adjustable stop to the desired flow rate setting and retighten the wing nut. The higher the setting number, the wider the opening in the bottom of the hopper.
2. Refer to the application chart on page 9 and to the instructions on the fertilizer bag to select the proper flow rate setting.
3. Pull the flow control arm against the adjustable stop for the on position and toward the hopper for the off position.

THE FREE WHEELING FEATURE

(Refer to figure 4 on page 6.)

The spreader is equipped with a removable pin in the left (drive) wheel. Remove the pin to disengage the drive wheel so that the axle, gears and spreader plate do not rotate. With the drive wheel disengaged, the spreader may be towed at speeds up to 20 mph. If the drive wheel is engaged do not exceed 6 mph.

USING YOUR SPREADER

We do not recommend the use of any powdered lawn chemicals, due to difficulty in obtaining a satisfactory or consistent broadcast pattern.

1. Determine approximate square footage of area to be covered and estimate amount of material required.
2. Before filling the hopper make sure the flow control arm is in the off position and the closure plate is shut.
3. Break up any lumpy fertilizer as you fill the hopper.
4. Set the adjustable stop with the flow control arm still in the off position. Refer to the application chart on this page and to the instructions on the fertilizer bag to select the proper flow rate setting.
5. The application chart is calculated for light to heavy application at a vehicle speed of 3 mph, or 100 ft. in 23 seconds. A variation in speed will require an adjustment of the flow rate to maintain the same coverage. The faster you drive, the wider the broadcast width.
6. Make sure the drive pin is installed in the axle before starting the spreader.
7. Always start the tractor in motion before opening closure plate.
8. Always shut the closure plate before turning or stopping the tractor.
9. If fertilizer is accidentally deposited too heavily in a small area, soak the area thoroughly with a garden hose or sprinkler to prevent burning of the lawn.

10. To insure uniform coverage, make each pass so that the broadcast pattern slightly overlaps the pattern from the previous pass as shown in figure 15. The approximate broadcast widths for different materials are shown in the application chart on this page.
11. When broadcasting weed control fertilizers, make sure the broadcast pattern does not hit evergreen trees, flowers or shrubs.
12. Heavy moisture conditions may require a cover over the hopper to keep contents dry. The vinyl cover acts as a wind and moisture shield, but should not be used as a rain cover.

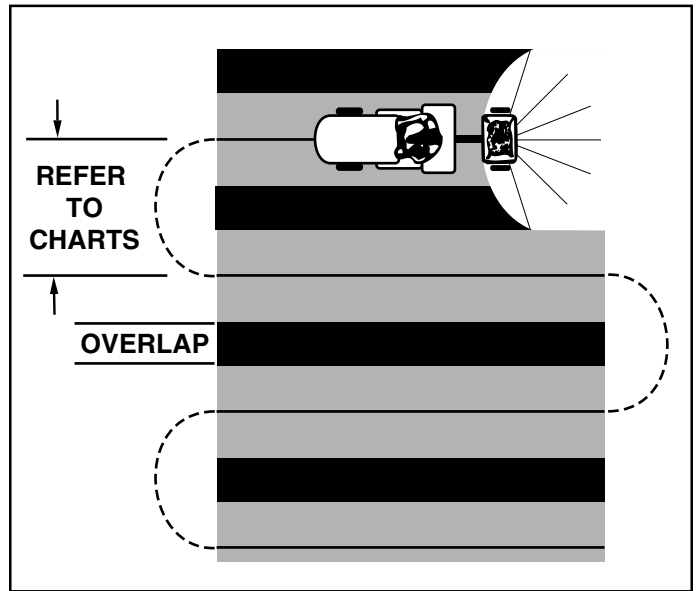


FIGURE 15

IMPORTANT: Application rates shown in the chart are affected by humidity and by the moisture content of the material (granular and pellet). Some minor setting adjustments may be necessary to compensate for this condition.

| APPLICATION CHART | | |
|-------------------|--------------|--------------|
| TYPE MATERIAL | FLOW SETTING | SPREAD WIDTH |
| FERTILIZER | | |
| Powder | 3 - 5 | 3' - 4' |
| Granular | 3 - 5 | 8' - 10' |
| Pelleted | 3 - 5 | 10' - 12' |
| Organic | 6 - 8 | 6' - 8' |
| GRASS SEED | | |
| Fine | 3 - 4 | 6' - 7' |
| Coarse | 4 - 5 | 8' - 9' |
| ICE MELTER | 6 - 8 | 10' - 12' |

OPERATING SPEED - 3 MPH. (100 ft. in 23 seconds)

MAINTENANCE

CHECK FOR LOOSE FASTENERS

1. Before each use make a thorough visual check of the spreader for any bolts and nuts which may have loosened. Retighten any loose bolts and nuts.

CHECK FOR WORN OR DAMAGED PARTS

2. Check for worn or damaged parts before each use. Repair or replace parts if necessary.

CHECK TIRE INFLATION

3. Check if tires are adequately inflated before each use. Do not inflate beyond maximum recommended pressure.



CAUTION: DO NOT inflate tires beyond the maximum recommended pressure printed on side of tire.

CLEANING

4. Rinse inside of hopper and exterior of spreader and dry off before storing.

LUBRICATE (See figure 16)

5. Lightly apply automotive grease as needed to the sprocket and gear.
6. Oil the nylon bushings on the vertical sprocket shaft and on the axle at least once a year, or more often as needed.
7. Oil right hand (idler) wheel bearing at least once a year or more often as needed.

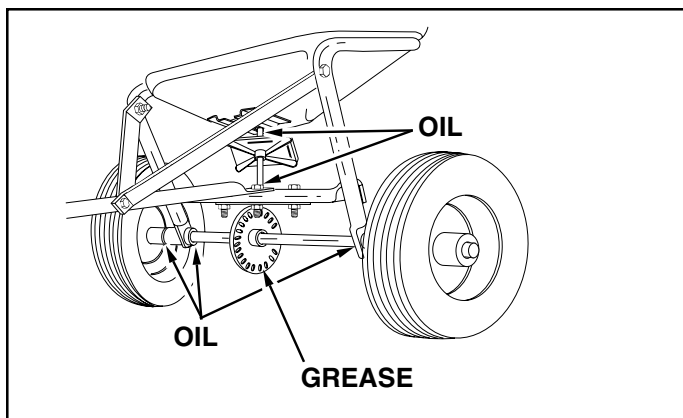


FIGURE 16

STORAGE

1. Rinse inside of hopper and exterior of spreader and dry off before storing.
2. Store in a clean, dry area.

SERVICE AND ADJUSTMENTS

1. If the axle, slotted gear and sprocket assembly is disassembled, mark down the positions of the parts as they are removed. The drive wheel and sprocket positions in relation to the slotted gear determine which direction the spreader plate will spin. Be sure to reassemble them in their original positions. (Refer to figure 4 on page 6.) Use shim washers (Ref. no. 21 on pages 20 and 21) as needed for minimum backlash. Add grease to gear and sprocket.
2. If the agitator hairpin becomes damaged or worn it can be replaced. See figure 17.

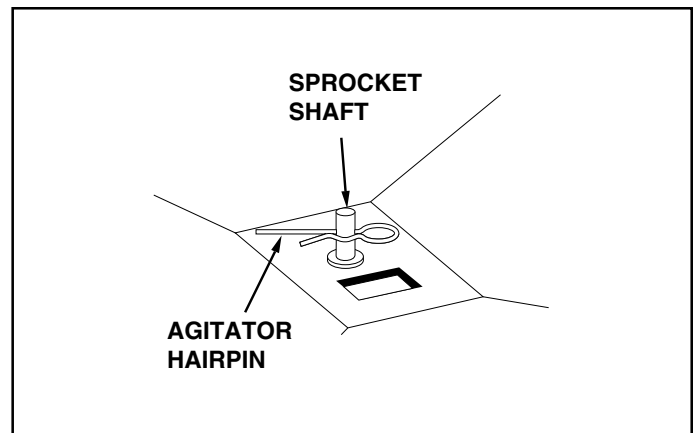


FIGURE 17

REGLAS PARA OPERACIONES SEGURAS

Recuerde, cualquier equipo motorizado puede causar lesiones si se opera incorrectamente o si el usuario no entiende cómo operar el equipo. Sea precavido en todo momento al usar equipo motorizado.

- Lea el manual del propietario y las reglas de seguridad del vehículo de arrastre. Aprenda cómo operar su tractor antes de usar el implemento Esparcidor de Lanzado.
- Lea las instrucciones y las precauciones que se encuentran en la etiqueta del producto para conocer todo lo relativo al manejo y aplicación de las sustancias químicas que ha comprado para ser aplicadas.
- Use protección para ojos y manos cuando maneje y cuando aplique sustancias químicas para césped o para jardín.
- Nunca opere el tractor y el implemento esparcidor sin estar muy bien calzado, y no permita que nadie se monte o se siente en el marco del esparcidor.
- Nunca permita que los niños operen el tractor ni el implemento esparcidor, y no permita que ningún adulto los opere sin conocer antes las respectivas instrucciones.
- Siempre empiece con la transmisión en primera (bajo) y con el motor a baja velocidad, y aumente gradualmente la velocidad, según lo permitan las condiciones.
- Cuando arrastre el esparcidor de lanzado, no conduzca demasiado cerca de quebradas o zanjas, y esté alerta a los huecos y demás peligros que podrían hacer que usted perdiera el control del esparcidor y del tractor.
- Antes de operar el vehículo en cualquier superficie inclinada (o colina), consulte las reglas de seguridad que aparecen en el manual del propietario del vehículo, relativas a la operación segura en colinas. **!Manténgase alejado de colinas empinadas!**
- Siga las instrucciones de mantenimiento y lubricación, según se describen en este manual.



OBSERVE ESTE SIMBOLO PARA INDICAR PRECAUCIONES IMPORTANTES DE SEGURIDAD. ¡SIGNIFICA — ATENCION! ¡ESTE ALERTA! ESTA INVOLUCRADA SU SEGURIDAD.

ARMADO

HERRAMIENTAS REQUERIDAS PARA EL ARMADO

- (1) Pinzas
- (2) Llaves de 7/16"
- (2) Llaves de 1/2"
- (3) Llaves de 9/16"

Saque del cartón de empaque todas las partes y los paquetes de ferretería. Extienda todas las partes y la ferretería e identifíquelos usando las ilustraciones de las páginas 2 y 3.

Nota: La mano derecha y la izquierda se determinan desde la posición del operador sentado en el vehículo de arrastre.

Nota: las figuras del armado se encuentran en las páginas de 5 a 8.

1. Voltee boca abajo el esparcidor según se muestra en la figura 1.
2. Instale los dos puntales de enganche en el interior del marco de la tolva, usando un perno hexagonal (B) y una tuerca de cierre hexagonal (F) en cada lado. **NO APRIETE TODAVIA.** Vea la figura 2.
3. Remueva la tuerca de cierre del perno del medio en el tubo de cruce y la placa de soporte del eje. Deje el perno en su lugar. Vea la figura 2.
4. Instale el tubo de enganche sobre el perno del medio y asegúrelo con la misma tuerca de cierre que removió. **NO APRIETE TODAVÍA.** Vea la figura 2.

IMPORTANTE: El tubo de enganche debe fijarse en el lado del tubo de cruce, opuesto a la placa de soporte del eje.

5. Instale los dos puntales de enganche en el tubo de enganche, usando un perno hexagonal (B) y una tuerca de cierre hexagonal (F). **NO APRIETE TODAVIA.** Vea la figura 2.
6. **Apriete** las tuercas y pernos que fijan los puntales de enganche al marco de la tolva y al tubo de enganche y luego apriete la tuerca de cierre del medio que fija el tubo de enganche al tubo de cruce. **NO OCASIONE EL COLAPSO DE LOS TUBOS AL APRETAR.**
7. Ensamble un espaciador (Q), una arandela plana (L), una rueda (con la válvula de aire mirando hacia fuera) y otra arandela plana (L) sobre el extremo del eje que sólo tiene el hueco pequeño. Ver figura 3.
8. Instale un pasador de horquilla (N) dentro del hueco del eje. Ver figura 3.
9. Coloque un espaciador (Q), una arandela plana (L), una rueda (con la válvula de aire mirando hacia fuera) y otra arandela plana (L) sobre el extremo del eje que tiene las perforaciones **grande y pequeña.** Vea la figura 4.
10. Instale un pasador de horquilla (N) en la perforación pequeña en el extremo del eje. Vea la figura 4.
11. Abra el aro de la clavija de transmisión (W) e instálela a través de la rueda y del hueco grande en el eje. Cierre el aro para ajustar la clavija en su lugar. Ver figura 4.
12. Coloque sobre sus ruedas el esparcidor, en posición vertical.
13. Ensamble el tubo de montaje de control de flujo en el tubo de enganche, usando los dos pernos hexagonales (A), las arandelas de cierre (I) y las tuercas de cierre hexagonales (G). **NO APRIETE TODAVIA.** Vea la figura 5.
14. Ensamble la tapa de vinilo (T) sobre el tubo de montaje de control de flujo. Vea la figura 5.
15. Ensamble el soporte de montaje del control de flujo y la tira de soporte del tubo en el tubo de montaje de control de flujo, usando dos pernos hexagonales (A), cuatro arandelas (K), dos arandelas de cierre (I) y dos tuercas de cierre hexagonales (G). **NO APRIETE TODAVIA.** Vea la figura 6.
16. Remueva el perno y la tuerca ensamblados en fábrica, del frente de la tolva. Fije la tira de soporte del tubo en la tolva y en la tira de la tolva, usando el perno y la tuerca que quitó. **APRIETE.** Vea la figura 6.
17. **APRIETE** los dos pernos que fijan el tubo de montaje de control de flujo al tubo de enganche. **NO APRIETE** los dos pernos que fijan el soporte de montaje de control de flujo al tubo de montaje de control de flujo.
18. Ensamble el mango de vinilo (U) en el brazo de control de flujo. Vea la figura 7.
19. Inserte hacia abajo el brazo de control de flujo, a través de la ranura en el soporte de control de flujo. Fije el hueco pequeño del eslabón (V) de control de flujo en el brazo de control de flujo, usando un perno hexagonal (D), una arandela de nylon (J) y una tuerca de cierre hexagonal (F), según se muestra en la figura 7. **Apriete con cuidado.** El eslabón de control de flujo deberá ajustar sin holgura, pero deberá girar con apenas una leve resistencia.

20. Ensamble el brazo de control de flujo en el soporte de montaje del control de flujo, usando un perno hexagonal (D), dos arandelas de nylon (J) y una tuerca de cierre hexagonal (F). **Apriete cuidadosamente.** El brazo de control de flujo deberá ajustar sin holgura, y deberá girar con apenas una leve resistencia. Vea la figura 8.
21. Enganche el extremo de dos dobleces de la barra de control de flujo, a través del hueco en el soporte de la entrada lateral, ubicado cerca del fondo de la tolva. Ver figura 9.
22. Coloque una arandela plana (K) sobre el otro extremo de la barra de control de flujo. Inserte el extremo de la barra a través de la ranura curvada en el soporte de montaje de control de flujo, y a través del hueco en el eslabón de control de flujo. Asegure con una arandela plana (K) y un pasador de horquilla (M). Vea la figura 10.

NOTA: Usted puede prescindir de la segunda arandela si no hay suficiente espacio en el extremo de la barra.

23. Coloque el elemento ajustable de parada (S) en el extremo "ON" (ABIERTO) de la ranura en la parte superior del soporte de montaje del control de flujo. Asegure con el perno de carruaje (E), una arandela de nylon (J), una arandela plana (K) y la tuerca de mariposa de nylon (R). Vea la figura 11.
24. Coloque el soporte de montaje del control de flujo (Figura 12).
 - a. Empuje el brazo de control de flujo hasta que ajuste en posición "OFF" (CERRADO).
 - b. Deslice el soporte de montaje del control de flujo a lo largo del tubo, hasta que la placa de taponamiento en el fondo de la tolva apenas cierre.
 - c. Ajuste las tuercas de cierre de 5/16", apenas lo suficiente para sostener en su lugar el soporte de montaje del control de flujo.
 - d. Gradúe el elemento ajustable de parada en "5". Tire del brazo de control de flujo contra el elemento de parada. Verifique que la placa de taponamiento haya abierto más o menos hasta la mitad.
 - e. Si la placa de taponamiento no abre hasta la mitad, ajuste la posición de el soporte de montaje del control de flujo hasta que la placa de taponamiento abra hasta más o menos la mitad en "5" y se mantenga cerrada cuando el brazo quede ajustado en la posición "OFF" (CERRADO). **Apriete** las tuercas de cierre de 5/16".
25. Ensamble el soporte de enganche en el soporte de extensión de enganche, usando dos pernos hexagonales (C) y tuercas de cierre hexagonales (H). Inserte los pernos desde el fondo. Vea la figura 13.
26. Ensamble la clavija de enganche (P) a través de el soporte de enganche y el soporte de extensión de enganche y asegure con el perno de horquilla (O). Vea la figura 13.
27. Para la mayoría de los vehículos, ensamble el soporte de extensión de enganche en los huecos del tubo de enganche que se muestran en la parte superior de la figura 14. Use dos pernos hexagonales (B) y tuercas hexagonales (F) apretadas únicamente con los dedos. Fije el enganche del esparcidor en el enganche de su vehículo de tracción. Verifique que no haya interferencia de esparcidor con vehículo ni atrás ni a los lados. Levante el esparcidor hasta cada posición, para asegurarse de que no haya interferencia con el control de flujo del esparcidor. Si existe interferencia con la parte trasera del vehículo, ensamble el soporte de extensión de enganche según se muestra en la **parte inferior** de la figura 14. Cuando termine, **apriete** los pernos y las tuercas.

OPERACIÓN

FORMA DE USAR EL ESPARCIDOR

GRADUACION DEL CONTROL DE FLUJO

(Refiérase a la figura 12 en la página 8)

1. Afloje la tuerca de mariposa de nylon, gradúe el elemento ajustable de parada en la graduación de cantidad de flujo deseada y vuelva a apretar la tuerca de mariposa. A mayor número de graduación, más amplia será la apertura en el fondo de la tolva.
2. Refiérase al cuadro de aplicación en la página 14 y a las instrucciones de la bolsa del fertilizante, para seleccionar la graduación adecuada de cantidad de flujo.
3. Tire del brazo de control de flujo contra el elemento ajustable de parada para la posición de ABIERTO y hacia la tolva para la posición de CERRADO.

LA CARACTERISTICA DE RUEDA LIBRE

(Consulte la figura 4 en la página 6)

El esparcidor viene equipado con una clavija de transmisión removible en la rueda (de engranaje) izquierda. Remueva la clavija para desenganchan la rueda de engranaje de manera que el eje, los piñones y la placa del esparcidor no giren. Con la rueda de engranaje desenganchada el esparcidor se puede remolcar a velocidades de hasta 20 mph (32 km/h). Si la rueda de engranaje está enganchada la velocidad no debe exceder las 6 mph (10 km/h).

USO DEL ESPARCIDOR

No recomendamos el uso de sustancias químicas en polvo, no granuladas, para el césped, debido a la dificultad de obtener un patrón de lanzado satisfactorio o consistente.

1. Determine la medida aproximada del área que se va a cubrir en pies o metros cuadrados, y estime la cantidad de material que necesita.
2. Antes de llenar la tolva, asegúrese de que el brazo de control de flujo esté en posición de CERRADO, y la placa de taponamiento esté cerrada.
3. No use fertilizante apelmazado, y separe los terrones a medida que llena la tolva.
4. Gradúe el elemento ajustable de parada, manteniendo el brazo de control de flujo en la posición cerrada. Refiérase al cuadro de aplicación en esta página y a las instrucciones en la bolsa del fertilizante para seleccionar la graduación adecuada para la tasa de flujo.
5. El cuadro de aplicación está calculado para una aplicación de ligera a pesada, a una velocidad del vehículo de 3 MPH (4,8 km/h), sea 30 metros en 23 segundos. Cualquier variación de la velocidad requerirá un ajuste de la tasa de flujo para mantener el mismo cubrimiento. A mayor velocidad, más amplia será la anchura del lanzado.
6. Asegúrese de que la clavija de transmisión esté instalada en el eje antes de arrancar el esparcidor.
7. Siempre arranque y ponga el tractor en movimiento antes de abrir la placa de taponamiento.
8. Siempre cierre la placa de taponamiento antes de girar o detener el tractor.
9. Si accidentalmente el fertilizante se acumula demasiado en un área pequeña, empape a fondo el área con una manguera de jardín o un rociador, para evitar que el césped se queme.

10. Para garantizar un cubrimiento uniforme, realice cada pasada superponiendo ligeramente el patrón de lanzado de la pasada anterior, según se muestra en la figura 15. Los anchos aproximados de lanzado para los diferentes materiales, se muestran en el cuadro de aplicación en esta página.
11. Cuando aplique fertilizantes para control de hierbas o malezas, asegúrese de que el patrón de lanzado no llegue a los árboles de verde perenne, a las flores ni a los arbustos.
12. Bajo condiciones de alta humedad puede ser necesario cubrir la tolva para mantener seco su contenido. La tapa de vinilo actúa como un escudo contra el viento y la humedad, pero no debe usarse como protección contra la lluvia.

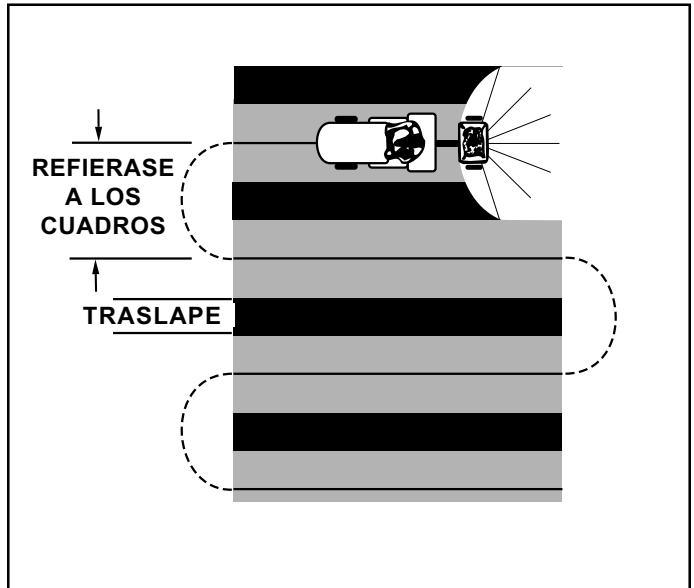


FIGURA 15

IMPORTANTE: Las tasas de aplicación que aparecen en el cuadro están afectadas por la humedad y por el contenido de humedad del material (granular o peletizado). Pueden ser necesarios algunos ajustes menores para compensar esta condición.

| CUADRO DE APLICACION | | |
|----------------------|---------------------|-----------------------|
| TIPO DE MATERIAL | GRADUACIÓN DE FLUJO | ANCHO DE LANZADO |
| FERTILIZANTE | | |
| En Polvo | 3 - 5 | 3' - 4' (0,9 – 1,2 m) |
| Granulado | 3 - 5 | 8' - 10' (2,4 – 3 m) |
| Peletizado | 3 - 5 | 10' - 12' (3 – 3,6 m) |
| Orgánico | 6 - 8 | 6' - 8' (1,8 – 2,4 m) |
| SEMILLA DE CESPED | | |
| Fina | 3 - 4 | 6' - 7' (1,8 – 2,1 m) |
| Gruesa | 4 - 5 | 8' - 9' (2,4 – 2,7 m) |
| DERRETIDOR DE HIELO | 6 - 8 | 10' - 12' (3 – 3,6 m) |

VELOCIDAD DE OPERACION

3 MPH (4,8 km/h), o 30 metros en 23 segundos

MANTENIMIENTO

REVISE SI HAY ELEMENTOS DE AJUSTE SUELTOS

1. Antes de cada uso, realice una revisión visual detallada del esparcidor en busca de pernos o tuercas sueltos o flojos. Vuelva a apretar los pernos o las tuercas flojas.

REVISE SI HAY PARTES GASTADAS O DAÑADAS

2. Antes de cada uso, revise si hay partes gastadas o dañadas. Repare o reemplace las partes cuando sea necesario.

REVISE QUE LAS LLANTAS ESTEN BIEN INFLADAS

3. Antes de cada uso, revise que las llantas estén bien infladas. No infle más allá de la presión máxima recomendada.

PRECAUCION: NO INFLE las llantas más allá de la presión máxima recomendada que aparece impresa en el costado de la llanta.

LIMPIEZA

4. Lave el interior de la tolva y el exterior del esparcidor y seque bien antes de guardar la unidad.

LUBRICACION (Vea la figura 16)

5. Aplique una capa ligera de grasa para automóvil, según sea necesario, en la rueda dentada y el engranaje.
6. Aceite los bujes de nylon en el eje vertical de la rueda dentada y en el eje de las ruedas, por lo menos una vez al año, o con más frecuencia si es necesario.
7. Aceite el cojinete de la rueda derecha (engranaje libre), por lo menos una vez al año o con más frecuencia según sea necesario.

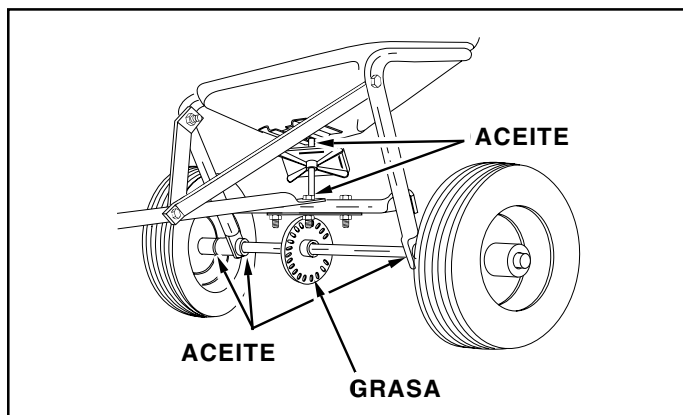


FIGURA 16

ALMACENAMIENTO

1. Lave el interior de la tolva y el exterior del esparcidor y séquelos bien antes de guardar la unidad.
2. Almacénela en un área limpia y seca.

SERVICIO Y AJUSTES

1. Si el conjunto de eje, engranaje ranurado y rueda dentada se va a desarmar, marque las posiciones de las partes a medida que las va removiendo. Las posiciones de la rueda de la transmisión y de la rueda dentada, en relación con el engranaje ranurado, determinan la dirección en que girará la placa del esparcidor. Asegúrese de volverlos a ensamblar en su posición original. (Refiérase a la figura 4 en la página 6). Use arandelas de calza (Ref. No. 21 en páginas 20 y 21) según sea necesario, para que el retroceso sea mínimo. Agregue grasa al engranaje y a la rueda dentada.

CONSIGNES DE SÉCURITÉ

Tout appareil mécanique risque de provoquer des blessures si ce dernier n'est pas utilisé correctement ou si l'utilisateur ne sait pas comment l'utiliser. Faites preuve de prudence à tout moment lorsque vous utilisez un appareil mécanique.

- Lisez cette notice d'utilisation et les consignes de sécurité avant de tenter d'assembler ou d'utiliser la remorque. Veillez à bien connaître le fonctionnement du tracteur avant d'atteler la remorque à l'épandeur.
- Lisez les instructions du produit chimique et les consignes de sécurité afin de manipuler et répandre les produits chimiques achetés afin d'être utilisés avec l'épandeur.
- Portez des lunettes de protection et des gants lorsque vous manipulez et utilisez des produits chimiques pour jardins et gazons.
- Ne jamais conduire le tracteur et l'épandeur sans porter des chaussures adéquates. Ne transportez jamais personne sur l'attelage de l'épandeur.
- Ne laissez jamais d'enfants utiliser le tracteur ni la remorque et ne laissez aucun adulte utiliser le tracteur ni la remorque sans lui avoir fourni auparavant les instructions adéquates.
- Commencez toujours en veillant à ce que le levier de la transmission se trouve en première vitesse (réglage bas sur "low") et augmentez petit à petit votre vitesse si les conditions le permettent.
- Tractez la remorque à basse vitesse sur terrain accidenté, toute pente ou à proximité de tout ruisseau ou fossé afin d'éviter qu'elle ne se renverse en cas de perte de contrôle du tracteur et de l'épandeur.
- Avant d'utiliser le véhicule sur toute inclinaison (pente), reportez-vous aux consignes de sécurité de la notice d'utilisation concernant la conduite du véhicule sur toute pente ou colline. Demeurez à l'écart de toute pente forte!
- Veuillez suivre les instructions d'entretien et de lubrification figurant dans cette notice.



CE SYMBOLE ATTIRE L'ATTENTION SUR DES MESURES DE SÉCURITÉ IMPORTANTES. IL SIGNIFIE : ATTENTION! DEMEUREZ VIGILANT! VOTRE SÉCURITÉ EN DÉPEND.

INSTRUCTIONS DE MONTAGE

OUTILS NÉCESSAIRES POUR L'ASSEMBLAGE

- (1) Pincettes
- (2) Clés de 7/16 po.
- (2) Clés de 1/2 po.
- (2) Clés de 9/16 po.

Retirez l'épandeur, les pièces et le matériel de fixation du carton. Étalez toutes les pièces et le matériel et reportez-vous aux illustrations des pages 2 et 3 afin d'identifier toutes les pièces.

REMARQUE : La droite et la gauche sont définies à partir de la position de l'opérateur lorsqu'il est assis sur le tracteur.

REMARQUE : Se reporter aux plans d'ensemble des pages 5 à 8.

1. Placez l'épandeur à l'envers comme illustré au niveau du dessin No.1 afin qu'il repose sur la trémie.
2. Fixez les deux entretoises d'attelage à l'intérieur du cadre de la trémie en utilisant le boulon hex. po. (B) et le contre-écrou hex. (F) de chaque côté. **NE PAS SERRER POUR L'INSTANT.** Voir la figure 2.
3. Retirez le contre-écrou du boulon central situé dans le tube de raccordement et la plaque de support de l'axe. Laissez le boulon en place. Voir la figure 2.
4. Montez le tube d'attelage sur le boulon central et fixez-le avec le contre-écrou que vous venez de retirer. **NE PAS SERRER POUR L'INSTANT.** Voir la figure 2.

IMPORTANT: Le tube d'attelage doit venir se fixer sur le côté du tube de raccordement en face de la plaque de support de l'axe.

5. Montez les deux entretoises d'attelage sur le tube d'attelage en utilisant un boulon hex.(B) et un contre-écrou hex. (F). Voir figure 2. Ne serrez pas pour l'instant.
6. **Serrez** les écrous et les boulons retenant les entretoises d'attelage au cadre de la trémie et au tube d'attelage, puis serrez le contre-écrou central afin de fixer le tube d'attelage au tube de raccordement. **VEILLEZ À NE PAS PLIER OU ENDOMMAGER LE TUBE LORSQUE VOUS SERREZ LES BOULONS ET LES ÉCROUS.**
7. Montez un tube d'espacement (Q) et une rondelle plate (L), une roue (avec la valve vers l'extérieur) et une autre rondelle plate (L) sur l'extrémité de l'essieu qui comporte un petit trou. Voir la figure 3.
8. Introduisez une goupille-épingle (N) dans le trou de l'essieu. Voir la figure 3.
9. Montez un tube d'espacement (Q) et une rondelle plate (L), une roue (avec la valve vers l'extérieur) et une autre rondelle plate (L) sur l'extrémité de l'essieu qui comporte **un petit trou et un grand trou.** Voir la figure 4.
10. Introduisez une goupille-épingle (N) dans le petit trou à l'extrémité de l'essieu. Voir la figure 4.
11. Ouvrez la boucle de la goupille d'entraînement (W) et introduisez-la dans le grand trou de l'essieu en la faisant passer à travers la roue. Voir la figure 4.
12. Placez l'épandeur tout droit sur ses roues.
13. Montez le tube de montage de contrôle de débit sur le tube d'attelage en utilisant deux boulons hexagonaux (A), deux rondelles de blocage (I) et deux contre-écrous hex. (G). **NE PAS SERRER POUR L'INSTANT.** Voir la figure 5.
14. Placez le capuchon en vinyle (T) sur le tube de montage de contrôle de débit. Voir la figure 6.
15. Fixez le support de montage du contrôle de débit et la latte de support du tube au tube de montage à l'aide de deux boulons hex. (A), quatre rondelles (K), deux rondelles de blocage (I) et deux contre-écrous hex. (G). **NE PAS SERRER POUR L'INSTANT.** Voir la figure 6.
16. Retirez le boulon et l'écrou montés en usine de l'avant de la trémie. Fixez la latte de support du tube. Fixez la latte de support du tube à la trémie et la fixation de la trémie en utilisant le boulon et l'écrou que vous venez de retirer. **SERREZ À PRÉSENT.** Voir la figure 6.
17. **SERREZ** les deux boulons qui retiennent le tube de montage de contrôle de débit au tube d'attelage. **NE SERREZ PAS POUR L'INSTANT** les deux boulons qui retiennent le support de montage du contrôle de débit au tube de montage de montage support de montage du contrôle de débit.
18. Montez la poignée en vinyle (U) sur le bras de contrôle de débit. Voir la figure 7.
19. Faites passer le bras de contrôle de débit dans la fente du support de contrôle de débit. Fixez la biellette de contrôle de débit (V) au bras de contrôle de débit par l'intermédiaire du petit trou situé sur la biellette en introduisant un boulon hexagonal (D), une rondelle en nylon (J) et un contre-écrou hex. (F) comme illustré à la figure 7. **Serrez avec précaution.** La biellette de contrôle de débit devrait être serrée mais devrait pouvoir pivoter sans trop de résistance.
20. Fixez le bras de contrôle de débit au support de montage de contrôle de débit en utilisant un boulon hex. (D), deux rondelles en nylon (J) et un contre-écrou (F). **Serrez avec précaution.** Le bras de contrôle de débit devrait être serré mais devrait pouvoir pivoter sans trop de résistance. Voir la figure 8.

21. Accrochez le bout plié de la bielle de contrôle du débit dans le trou de la fixation de la plaque coulissante située à proximité du fond de la trémie. Voir figure 9.
22. Placez une rondelle plate de 5/16 po. (K) sur l'autre extrémité de la bielle de contrôle du débit. Introduisez l'extrémité de la bielle dans la fente courbée du support de montage du contrôle du débit puis dans le trou de la biellette de contrôle du débit. Fixez les pièces en utilisant une rondelle plate (K) et une goupille-épingle (M). Voir la figure 10.

REMARQUE: Il vous est possible de ne pas monter la deuxième rondelle si il n'y a pas suffisamment de place à l'extrémité de la bielle.

23. Placez la butée réglable (S) sur l'extrémité «ON» (marche) de la fente qui est située sur le dessus du support de montage du mécanisme de contrôle de débit. Fixez la pièce en utilisant un boulon de carrosserie (E), une rondelle en nylon (J), une rondelle plate (K) et l'écrou à oreilles en nylon (R). Voir figure 12.
24. Positionnez le support de montage du contrôle de débit (figure 12).
 - a. Poussez le bras de contrôle de débit jusqu'à ce qu'il se bloque sur « OFF » (arrêt).
 - b. Glissez le support de montage du mécanisme de contrôle de débit le long du tube jusqu'à ce que la plaque de débit du fond de la trémie se ferme.
 - c. Serrez les contre-écrous juste assez afin qu'ils retiennent le support de montage du mécanisme de contrôle de débit.
 - d. Réglez la butée réglable sur « 5 ». Tirez sur le bras de contrôle de débit afin qu'il se trouve contre la butée. Assurez-vous que la plaque de débit se soit ouverte à moitié.
 - e. Si la plaque de débit ne s'ouvre pas à moitié, elle risque d'être fermée trop loin sur « OFF ». Réglez la position du support de montage du mécanisme de contrôle de débit de façon à ce que la plaque de débit s'ouvre environ à moitié à « 5 » et ensuite puisse se fermer lorsque le bras est réglé sur « OFF » (arrêt). Serrez les contre-écrous.
25. Montez le support d'attelage sur la pièce de rallonge du support d'attelage avec deux boulons hex. (C) et deux contre-écrous (H). Introduisez les boulons à partir du bas. Voir la figure 13.
26. Introduisez la goupille d'attelage (P) dans le support d'attelage et dans la pièce de rallonge de support et fixez l'ensemble avec une goupille-épingle (O). Voir la figure 13.
27. Pour la plupart des véhicules, montez la pièce de rallonge de support d'attelage en utilisant les trous du tube d'attelage comme illustré **dans la partie supérieure** de la figure 14. Utilisez deux boulons hex. (B) et deux contre-écrous hex. (F) en les serrant uniquement à la main. Fixez la pièce d'attelage de l'épandeur à celle du véhicule tracteur. Assurez-vous que ces pièces ne gênent pas le déplacement de l'épandeur directement derrière et des deux côtés du véhicule. Soulevez l'épandeur des deux côtés afin de vous assurer que ces pièces ne gênent pas le mécanisme de contrôle de débit de l'épandeur. Si ces pièces ne gênent pas l'arrière du véhicule, montez la pièce de rallonge de support d'attelage comme illustré **au bas** de la figure 14. **Serrez** les boulons et les écrous après avoir terminé.

UTILISATION

COMMENT UTILISER VOTRE ÉPANDEUR AÉRATEUR

RÉGLAGE DU DÉBIT

(Reportez-vous à la figure 12 de la page 8)

1. Desserrez l'écrou à oreilles en nylon et réglez-la butée réglable sur le débit désiré et resserrez l'écrou à oreilles. Plus le réglage est haut, et plus l'ouverture au fond de la trémie sera large.
2. Reportez-vous au tableau de la page 18 et aux instructions figurant sur l'emballage de l'engrais afin de déterminer le réglage du débit.
3. Tirez le bras de contrôle de débit contre la butée réglable pour la position « ON » (marche) et vers la trémie pour la position « OFF » (arrêt).

FONCTION ROUE LIBRE

(Reportez-vous à la figure 4 de la page 6)

L'épandeur est équipé d'une goupille amovible dans la roue gauche (motrice). Retirez la goupille afin de débrayer la roue motrice pour que l'essieu, les engrenages et la plaque de l'épandeur ne puissent tourner. Une fois la roue motrice débrayée, l'épandeur pourra être tracté à une vitesse maximum de 20 mph (32 km/h). Si la roue motrice est embrayée, veuillez à ne pas dépasser les 6 mph (10 km/h).

UTILISATION DE L'ÉPANDEUR-AÉRATEUR

Il est déconseillé d'utiliser des engrais chimiques en poudre car ces derniers sont difficiles à répartir uniformément avec l'épandeur.

1. Déterminez la superficie approximative en pieds carrés (ou mètres carrés) devant être traitée et jugez la quantité d'engrais ou de graines nécessaire.
2. Avant de remplir la trémie, assurez-vous que le bras de contrôle de débit se trouve sur la position « OFF » (arrêt) et que la plaque de débit est fermée.
3. Faites en sortes que le produit ne fasse pas de grosses boules au fur et à mesure que vous remplissez la trémie.
4. Réglez la butée réglable tout en gardant le bras de contrôle du débit sur la position « OFF » (arrêt). Reportez-vous au tableau de cette page et aux instructions figurant sur l'emballage de l'engrais afin de déterminer le réglage du débit.
5. Les données du tableau des débits ont été calculées pour un débit faible à fort à une vitesse de tractage de 3 m.p.h. (4,8 km/h) soit 30 mètres en 23 secondes. Vous devrez corriger le débit si vous changez de vitesse afin de couvrir le terrain que vous désirez. Plus vous circulez vite et plus la portée de l'épandeur sera large.
6. Assurez-vous que la goupille d'entraînement est correctement installée dans l'essieu avant de mettre en marche l'épandeur.
7. Veillez à ce que le tracteur soit en train de rouler avant d'ouvrir la plaque de débit.
8. Assurez-vous que la plaque de débit est fermée avant d'arrêter ou d'effectuer un tournant avec le tracteur.

9. Si vous venez accidentellement d'appliquer trop d'engrais sur un espace réduit, aspergez abondamment cet endroit à l'aide d'un tuyau d'arrosage afin d'éviter que la surface ne brûle.
10. Pour une couverture optimale et afin d'éviter de manquer des zones ou de laisser des traces de passages, chevauchez les traces précédentes comme illustré à la figure 15. Les portées approximatives des différentes matières sont indiquées dans le tableau des débits de cette page.
11. Faites attention lorsque vous utilisez l'épandeur avec des herbicides et désherbants et veillez à ce que ces produits ne touchent pas les buissons, les fleurs, etc.
12. En présence de conditions très humides, la trémie devra être équipée d'un couvercle afin de protéger son contenu de l'humidité. Le cache de protection en vinyle sert à protéger la trémie contre le vent et l'humidité mais ne doit pas être utilisé comme couvercle contre la pluie.

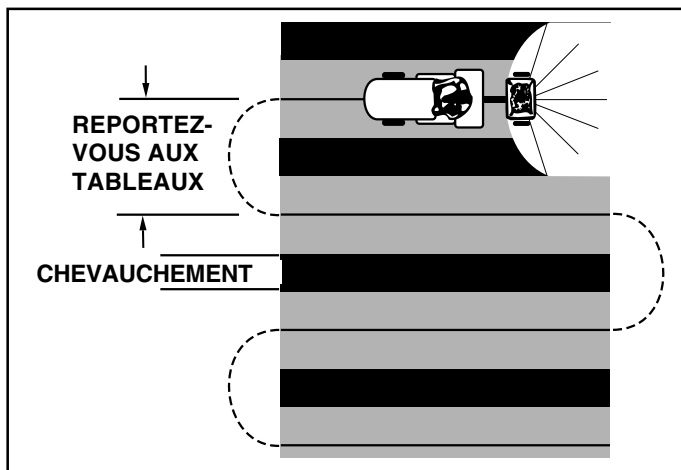


FIGURE 15

IMPORTANT: Les débits indiqués dans le tableau sont affectés par l'humidité et par le type de matière que vous comptez répandre (granulés et agglomérés). Certains réglages mineurs risquent d'être nécessaires afin de compenser le problème.

| TABLEAU DES DÉBITS | | |
|--------------------|------------------|-----------------------|
| MATIÈRE | RÉGLAGE DU DÉBIT | LARGEUR ET PORTÉE |
| ENGRAIS | | |
| Poudre | 3 - 5 | 3' - 4' (0,9 - 1,2 m) |
| Granulés | 3 - 5 | 8' - 10' (2,4 - 3 m) |
| Agglomérés | 3 - 5 | 10' - 12' (3 - 3,6 m) |
| Organique | 6 - 8 | 6' - 8' (1,8 - 2,4 m) |
| GRAINES DE GAZON | | |
| Fines | 3 - 4 | 6' - 7' (1,8 - 2,1 m) |
| Grosses | 4 - 5 | 8' - 9' (2,4 - 2,7 m) |
| SEL DE DÉGLAÇAGE | 6 - 8 | 10' - 12' |

VITESSE D'APPLICATION: 3 m.p.h. (4,8 km/h) soit 30 mètres en 23 secondes.

ENTRETIEN ET MAINTENANCE

VÉRIFIER QUE LA VISSERIE N'EST PAS DESSERRÉE

1. Avant toute utilisation, vérifiez attentivement que les boulons et les écrous de l'épandeur ne sont pas desserrés. Serrez tout boulon ou écrou desserré.

VÉRIFIER QUE LES PIÈCES NE SONT PAS USÉES OU ENDOMMAGÉES

2. Vérifiez que les pièces ne sont pas usées ou endommagées avant chaque utilisation. Réparez ou remplacez la pièce si nécessaire.

VÉRIFIER L'ÉTAT DES PNEUS

3. Vérifiez que les pneus sont correctement gonflés avant chaque utilisation. Ne gonflez pas les pneus au-delà de la pression maximum recommandée.



ATTENTION: NE PAS gonfler les pneus au-delà de la pression maximum recommandée figurant sur le flanc du pneu.

NETTOYAGE

4. Rincez l'intérieur de la trémie et l'extérieur de l'épandeur et séchez le tout avant de le ranger.

LUBRIFICATION (voir figure 16)

5. Appliquez un peu de graisse pour automobiles sur la couronne et l'engrenage si nécessaire.
6. Huilez les fourrures en nylon de l'arbre vertical de la couronne ainsi que l'essieu au moins une fois par an ou plus souvent si nécessaire.
7. Huilez le roulement droit (baladeur) au moins une fois par an ou plus souvent si nécessaire.

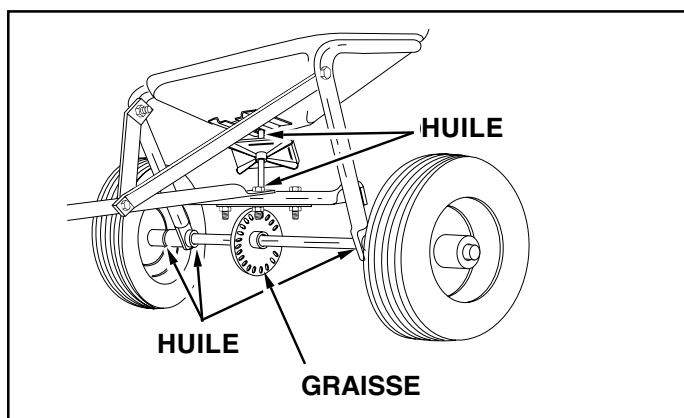


FIGURE 16

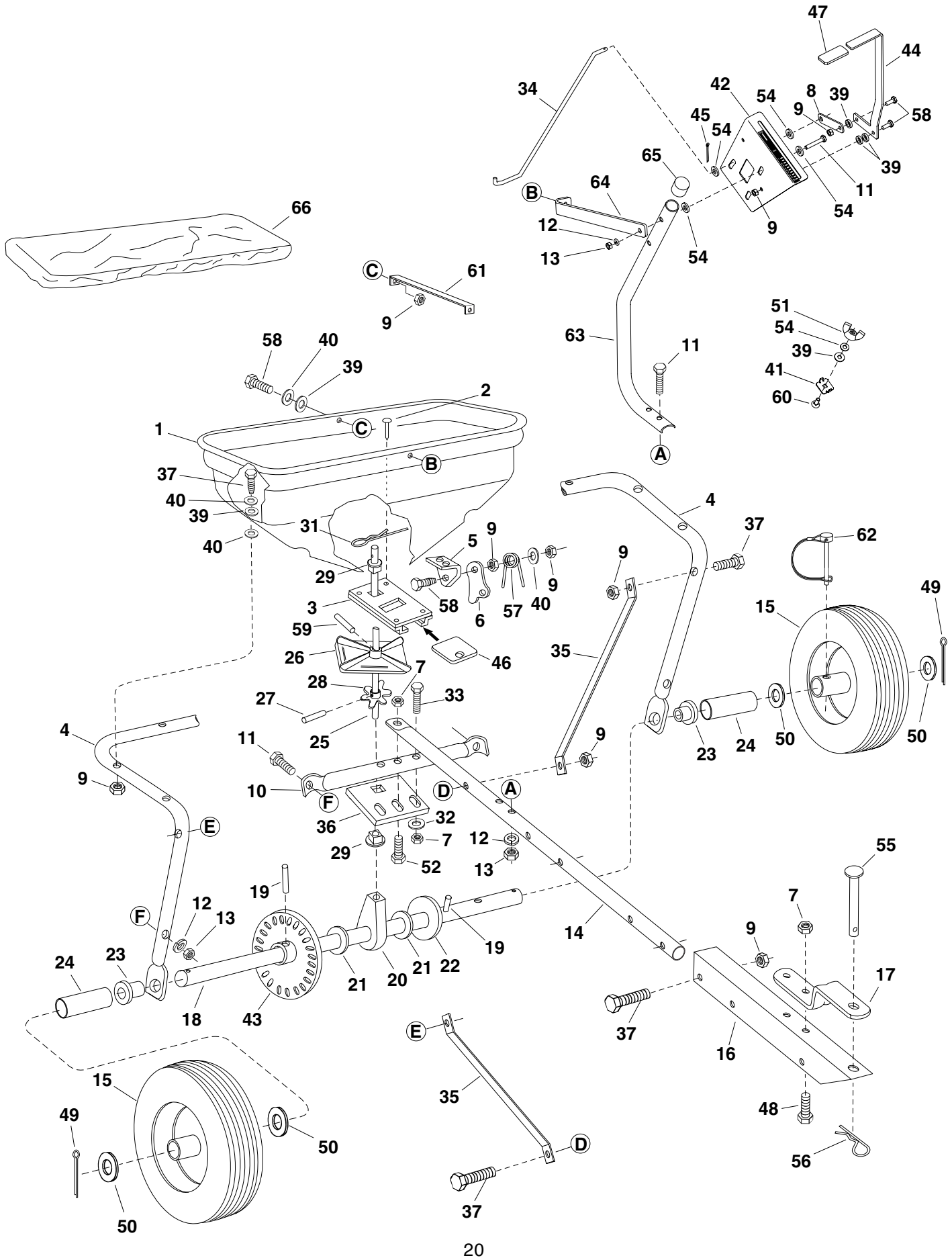
REMISAGE

1. Rincez l'intérieur de la trémie et l'extérieur de l'épandeur et séchez le tout avant de le ranger.
2. Rangez et remisez l'épandeur dans un endroit propre et sec.

RÉPARATIONS ET RÉGLAGES

1. Si l'essieu, l'engrenage à fentes et l'ensemble de la couronne sont démontés, indiquez au crayon l'emplacement des pièces au fur et à mesure que vous les retirez. La position de la roue d'entraînement et de la couronne déterminera le sens dans lequel la plaque de l'épandeur tournera. (Reportez-vous à la figure 4 de la page 6). Utilisez les cales (voir réf. 21 des pages 20 et 21) afin d'éviter un jeu trop important. Appliquez la graisse sur l'engrenage et la couronne.

REPAIR PARTS FOR BROADCAST SPREADER MODEL 45-0329



REPAIR PARTS FOR BROADCAST SPREADER MODEL 45-0329

| REF. NO. | PART NO. | QTY. | DESCRIPTION | REF. NO. | PART NO. | QTY. | DESCRIPTION |
|----------|----------|------|-------------------------------------|----------|-----------|------|--------------------------------|
| 1 | 44480 | 1 | Hopper | 35 | 23525 | 2 | Brace, Hitch |
| 2 | 43882 | 4 | Rivet, Stainless | 36 | 23762 | 1 | Shaft Support Plate |
| 3 | 62482 | 1 | Ass'y, Guide Closure | 37 | 1509-69 | 11 | Bolt, Hex 1/4-20 x 1-3/4" |
| 4 | 44462 | 1 | Tube, Frame | 39 | 1543-69 | 11 | Washer, Nylon |
| 5 | 23753 | 1 | Slide Gate Angle Bracket | 40 | 43088 | 14 | Washer, Flat 1/4" Std. |
| 6 | 23758 | 1 | Slide Gate Bracket | 41 | 24858 | 1 | Stop, Adjustable |
| 7 | 43082 | 5 | Nut, Hex Lock 3/8-16 Thd.* | 42 | 24915 | 1 | Bracket, Flow Control Mount |
| 8 | 24857 | 1 | Flow Control Link | 43 | 62474 | 1 | Gear Assembly |
| 9 | 43013 | 17 | Nut, Hex Lock 1/4-20 Thd.* | 44 | 24917 | 1 | Flow Control Arm |
| 10 | 43808 | 1 | Tube, Crossover | 45 | 44101 | 1 | Cotter Pin 3/32" x 3/4" Lg.* |
| 11 | 43084 | 6 | Bolt, Hex 5/16-18 x 1-3/4" Lg. | 46 | 23533 | 1 | Plate, Closure |
| 12 | 43086 | 6 | Lock Washer, 5/16" | 47 | 43848 | 1 | Grip, Flow Control Arm |
| 13 | 43064 | 6 | Nut, Hex Lock, 5/16-18 Thd.* | 48 | 43407 | 2 | Bolt, Hex 3/8-16 x 3/4" Lg.* |
| 14 | 48864 | 1 | Tube, Hitch | 49 | 43093 | 2 | Pin, Cotter 1/8" x 1-1/2" |
| 15 | 48511 | 2 | Wheel | 50 | 43009 | 4 | Washer, Flat 1-5/8" O.D. |
| 16 | 25080 | 1 | Bracket, Hitch Extension | 51 | 47141 | 1 | Wing Nut, Nylon |
| 17 | 23014 | 1 | Bracket, Hitch | 52 | 43054 | 1 | Bolt, Hex 3/8-16 x 2" Lg.* |
| 18 | 24914 | 1 | Shaft, Axle | 54 | R19111116 | 7 | Washer, 5/16 SAE |
| 19 | 43851 | 2 | Pin, Spring 3/16" Dia. x 1-1/4" Lg. | 55 | 47623 | 1 | Hitch Pin |
| 20 | 43871 | 1 | Bushing, Axle Shaft | 56 | 43343 | 1 | Hair Cotter Pin, 1/8" |
| 21 | 1540-32 | 5 | Washer, Flat .78 I.D. | 57 | 44566 | 1 | Spring, Torsion |
| 22 | 1540-162 | 1 | Washer, Flat 1/2" | 58 | 43012 | 5 | Bolt, Hex 1/4-20 x 3/4" Lg.* |
| 23 | 47615 | 2 | Bearing, Flange | 59 | 46055 | 1 | Pin, Spring 1/8" Dia. x 1" Lg. |
| 24 | 47683 | 2 | Tube, Spacer | 60 | 44950 | 1 | Bolt, Carriage 1/4-20 x 3/4" |
| 25 | 25305 | 1 | Shaft, Sprocket | 61 | 23697 | 1 | Strap, Hopper |
| 26 | 04367 | 1 | Spreader Plate | 62 | 48515 | 1 | Drive Pin W/Bail, 1/4" x 2" |
| 27 | 43850 | 1 | Pin, Spring 1/8" Dia. x 5/8". | 63 | 48514 | 1 | Flow Control Mounting Tube |
| 28 | 44468 | 1 | Sprocket, 6 Tooth | 64 | 24916 | 1 | Tube Support Strap |
| 29 | 44285 | 2 | Bushing, Delrin | 65 | 44481 | 1 | Vinyl Cap |
| 31 | 48934 | 1 | Hairpin Agitator | 66 | 43962 | 1 | Vinyl Cover |
| 32 | 43070 | 5 | Washer, Flat 3/8" * | | 48512 | 1 | Owner's Manual |
| 33 | 41576 | 2 | Bolt, Hex 3/8-16 x 1-3/4" Lg.* | | | | |
| 34 | 48586 | 1 | Rod, Flow Control | | | | |

SpeedPart *the fastest way to purchase parts* www.speedepart.com

NOTES

NOTES

SpeedPart *the fastest way to purchase parts* www.speedepart.com

REPAIR PARTS
Agri-Fab, Inc.
303 West Raymond
Sullivan, IL. 61951
217-728-8388
www.agri-fab.com